

MCG 3200 Field Interface

Standard Configuration

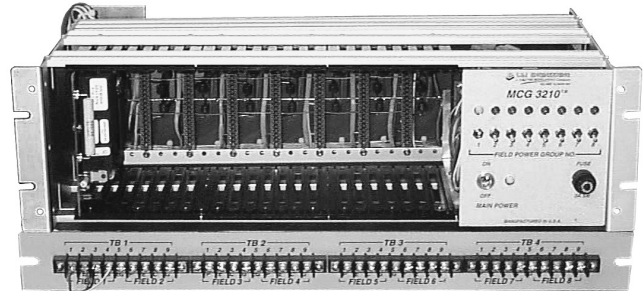
The MCG 3200 Field Interface Card Enclosure is a powerful, flexible interface that accepts data from standard serial devices via TTL, current loop, RS-232, or RS-485 and outputs Tankway regulated field power and proper signal voltage levels. Moreover, since each field wiring branch can be isolated using the MCG 3200, a complete cable failure in one branch will not affect the remaining branches.

The MCG 3200 will also protect control room equipment from receiving misapplied power due to improper field wiring. The control room equipment is also protected against transient voltages from the field because of built-in surge suppression circuitry.

The MCG 3200 provides a 4-wire data highway for each field. Each FIC board has the capability of providing power and communication for up to 128 field devices (gauges, transmitters, RTU's etc). In addition to its standard use in the L&J system, the MCG 3200 can also be configured for other special applications. With the addition of "Intelligent Personality Boards," the MCG 3200 can perform calculations, conversions and signal conditioning functions independent of the main CPU.

Intelligent Configuration

Other intelligent options allow the MCG 3200 Series to provide power and communication to L&J field devices, and an RS-232 port using ASCII protocol for communication with a non L&J host computer. This allows the customer to integrate L&J field devices into an existing SCADA system without the cost of an additional computer. The intelligent MCG 3200 series can also be configured to communicate with non L&J gauges and field devices. This allows the customer to upgrade to an L&J system without replacing all of the existing gauges and field devices.



Features

- Flexible Data Interface
- Reliable Field Signal Conversions
- Greater Data Security

Applications

- Expands MCG Inventory Management Systems
- Communicates between MCG Field components and standard serial communications links
- Used to take advantage of isolation and field splitting features

Specifications:

Mounting Options:

Table top cabinet
19" Rack

Communication Ports Available:

1 to 8

Communication Options:

To computer- TTL, RS232C, Current Loop
To field- L&J Tankway

Power Source Options:

110 VAC Standard
220 VAC Optional

Dimension

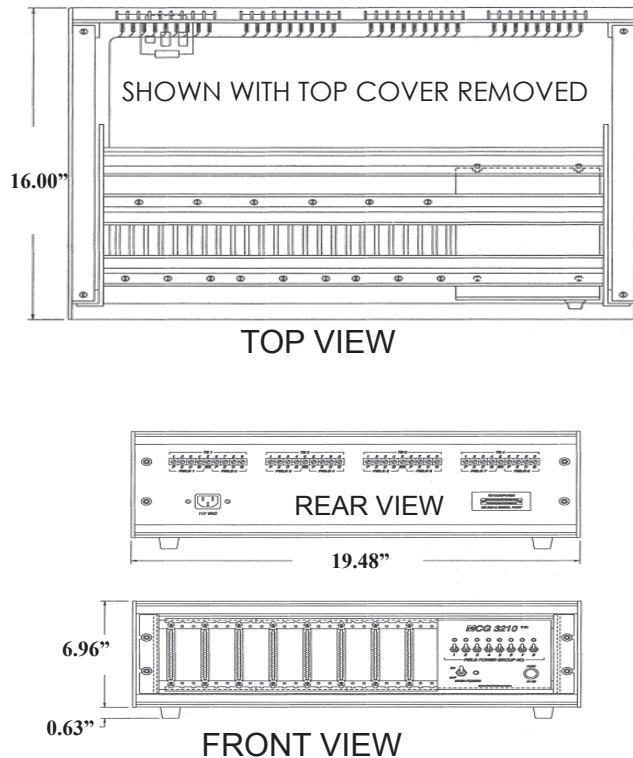
(table) 7"H x 19-1/2"W x 16"D
(rack) 3"H x 19"W x 16"D

Intelligent Interfaces Available:

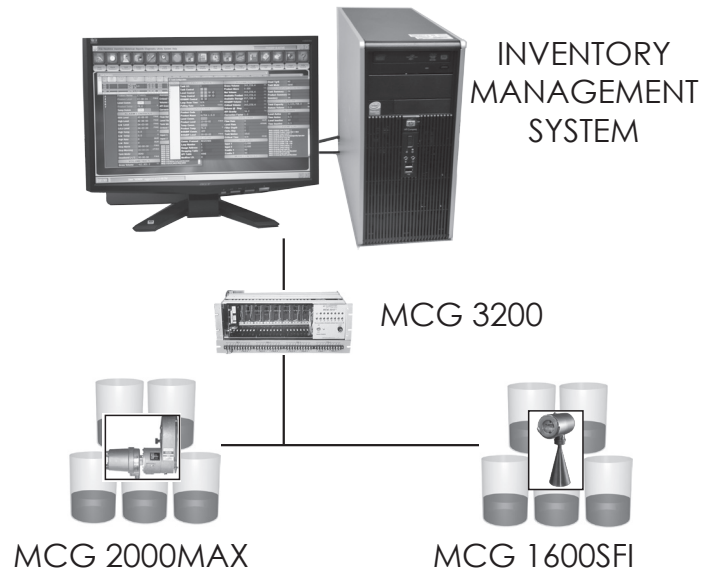
- 3230** NMC
- 3240** Varec Matrix
- 3241** Varec Direct Wire
- 3242** Varec 4-Wire
- 325X** GPE Series (TPII, 31422/23)
- 3260** Enraf

- 3270** Varec 15 Bit Parallel
- 3280** Mini-FIC (L&J TankWay)
- 3290** SAAB
- 3295** Sakura
- 32XX** Consult Factory

Dimensions



Typical System Layout



All designs subject to change. Certified dimensions and specifications available upon request.

MCG 3200 Ordering Guide

MCG 3200 Field Interface

Includes: Table top enclosure, 3 FIC slots, 1 port

MCG 3210 Field Interface Card Enclosure

Includes: Rack mount, 3 FIC slots, 1 port

Model Number Selection:

The model number will consist of a base number **MCG 32XX** followed by 10 digits. These digits will represent 5 sets of option tables:

MCG 32XX - AB - CD - EF - GH - IJ

AB - Number of Slots	
00	1 Slot
01	3 Slots
02	4 Slots
03	5 Slots
04	6 Slots
05	7 Slots
06	8 Slots
08	2 Slots

EF - Connection to Computer/ Number of Ports	
01	1 Port
02	2 Ports
03	3 Ports
04	4 Ports
05	5 Ports
06	6 Ports
07	7 Ports
08	8 Ports

*Must be less than or equal to the number of slots (Table 1)

CD - Number of FIC Boards	
01	1 Board
02	2 Boards
03	3 Boards
04	4 Boards
05	5 Boards
06	6 Boards
07	7 Boards
08	8 Boards

GH - Port Type	
00	TTL Output
01	RS 232 Output (Standard with MCG 3900)
02	Current Loop
03	RS 485
04	Ethernet*

*Table EF must use option 01

IJ - Power	
01	110 VAC, 2 amp
02	220 VAC, 2 amp
03	110 VAC, 4 amp
04	220 VAC, 4 amp
05	110 VAC, 8 amp
06	220 VAC, 8 amp