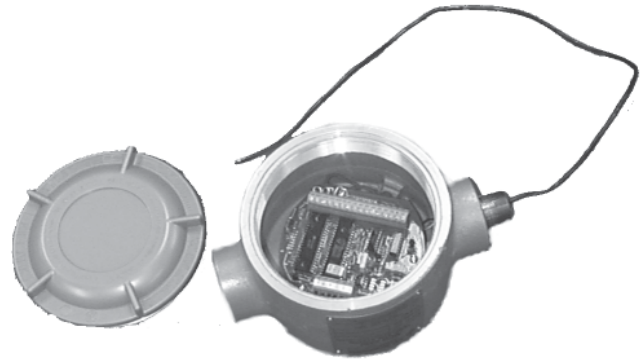
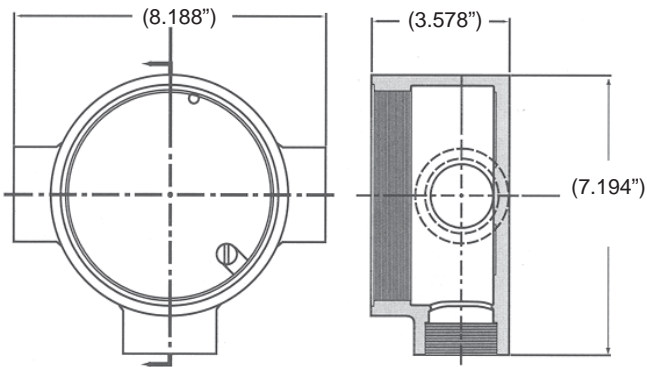


MCG 2350 Average Temperature Converter

The MCG 2350 is a stand-alone average temperature converter. Accepting its input from an average temperature probe with up to 14 elements, the unit multiplexes these inputs to give a digital output that corresponds to the product temperature. The MCG 2350 is available in two resolution ranges (0.1° C and 0.01° C). The housing is an explosion proof enclosure and includes a critical intrinsic safety (I.S.) barrier, allowing for the use of either explosion proof probes or I.S. probes. The MCG 2350 is normally connected directly to other L&J Engineering models via a serial connection, to give the transmitter average temperature capabilities. The MCG 2350 is UL/C-UL and ATEX/CENELEC Approved.



Dimensions



Features

- High Accuracy ($\pm 0.5^{\circ}\text{F}$) Temperature Measurement
- Temperature Averaging
- Temperature Conversions

All designs subject to change. Certified dimensions and specifications available upon request.