

## MCG 1350 Ground Level Display

L&J Technologies is constantly making the job easier for the end user. One of these ways is by offering a Ground level Display to the L&J Engineering line of products. L&J makes it no longer necessary to climb to the top of the tank to access the desired information or perform any of the programming functions.

The MCG 1350 Ground Level Display comprises a circular cast aluminum alloy housing having a circular threaded cast aluminum alloy cover which incorporates a flat circular window for observation of an internal display. The internal equipment is comprised of a PCB with the LCD assembly. The unit is rated at 30 VDC, 1 W. Power is provided by the host equipment.

The Ground Level Display is an explosion-proof, LCD readout enclosure that is typically located at eye level at the bottom of the tank at a nearby building.

Easy access Built-in diagnostic features of SFI equipment to test and verify operation without having to climb the tank.

The MCG 1350 GLD provides the same data display as is utilized by the MCG 1500SFI Servo Gauge, MCG 1600SFI Radar Gauge, the MCG 2000MAX Transmitter and the evo 2600 Radar Gauge. This allows you to be able to apply any of the programming functions of the L&J Engineering product line.



## Features

- Remote Calibration of SFI Series Gauges
- Remote Programming of SFI Gauges
- Eliminates Tank Climbing
- Display Data at Remote Location

## Applications

Used to monitor, program and calibrate the following equipment from ground level:

- MCG 1500SFI Servo Gauge
- MCG 1600SFI Radar Gauge
- MCG 2000MAX Transmitter
- evo 2600 Radar Gauge

## Specifications

**Usage:**

In conjunction with the MCG 1500SFI, MCG 1600SFI, MCG 2000MAX and evo 2600

**Display:**

4 line x 20 Character LCD

**Programming:**

Infrared

**Voltage:**

10-48 VDC

**Dimension:**

6.25" Dia. x 4.375" Depth

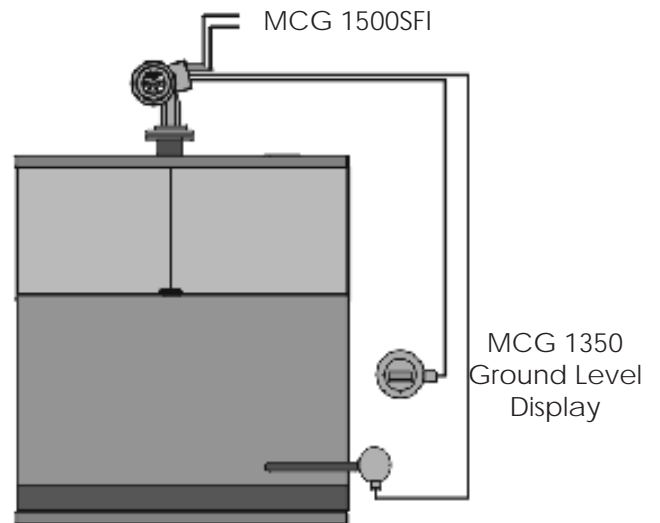
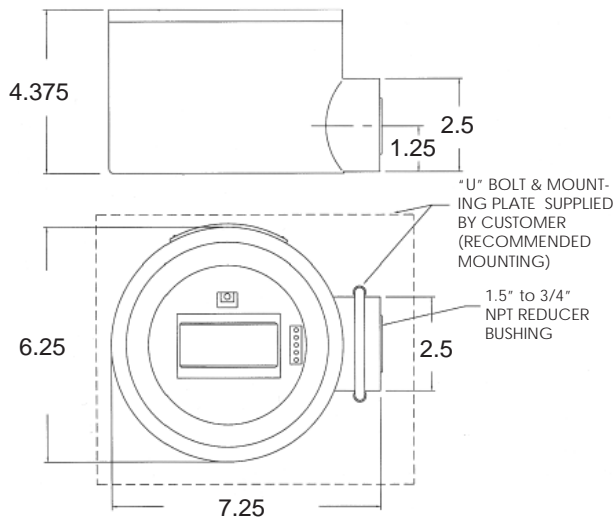
**Weight:**

5 lbs.

**Safety:**

Explosion Proof  
Class I Groups C & D,  
CENELEC/ATEX  
II 2 G EEx d IIB T6  
ABS Approved

## Dimensions



All designs subject to change. Certified dimensions and specifications available upon request.