

MCG 1030 Analog Output Level Probe

Accurate and Reliable

The construction of this probe makes it ideal for severe service installation where reliable performance is essential. The explosion-proof housing is approved for use in Class I, Division 1, Group C and D environments, allowing the MCG 1030 to be used in application where the distance from the probe to the receiver is too great to utilize an intrinsically-safe barrier.

Multi-Purpose

The operating length of the probe (up to 25 feet) permits installation into nearly any type of liquid storage vessel: above ground or underground. The standard mounting is accomplished with a 7/8" NPS connector. Flanged connections are also available.

Level Measurement and Point Switch, All in One

Because of the probe's packaging and high degree of repeatability, the MCG 1030 can provide both level gauging data and act as a point switch for process vessels overflow alarms. When interfaced to an L&J Engineering MCG 1200M or MCG 1010M Receiver, the level data can be viewed at tank side.

Proven Technology

The magnetostrictive technology of the MCG 1030 has been proven to be extremely reliable. The probe is comprised of a wave guide, a float with permanently embedded magnets, a motion or stress sensing device, and a probe housing.



Features

- Magnetostrictive Technology
- Accuracy of +/- 1/8" with a High Resolution (+/- 1/32") Option Available
- Up to 25' Measuring Range
- 4-20 mA or 1-5 Volt Output
- Combines with MCG 1010M for Local Indication and Digital Level Transmission
- High Pressure Applications

Applications

- Level gauging on LPG bullet-style tanks
- Level measurement of waste water treatment tanks
- Inventory control of crude oil collection tanks
- Level control in the plating process
- High-level alarm for tanks and process vessels

Specifications

Output:
4-20mA or 1-5 Volt

Resolution:
Standard +/- 1/8"
(Optional +/- 1/32")

Accuracy:
+/- 1/8" (optional +/- 1/32")

Tank Connection:
7/8" NPS, flange (opt.)

Standard Float:
2" diameter, 316 SS Float

Power Requirements:
24VDC

Measuring Range:
Up to 25 feet

Surge Protection:
Yes

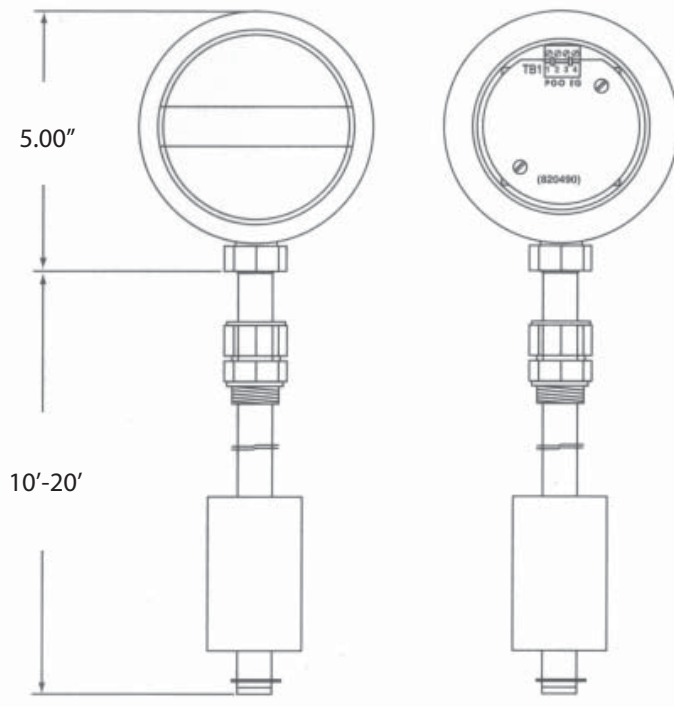
Probe Construction:
316SS
(Other Materials Available)

Safety Approvals:
CSA-Explosion proof
Class I, Div.1 Groups C&D
CENELEC / ATEX
II 1/2 G, EEX d IIB T6

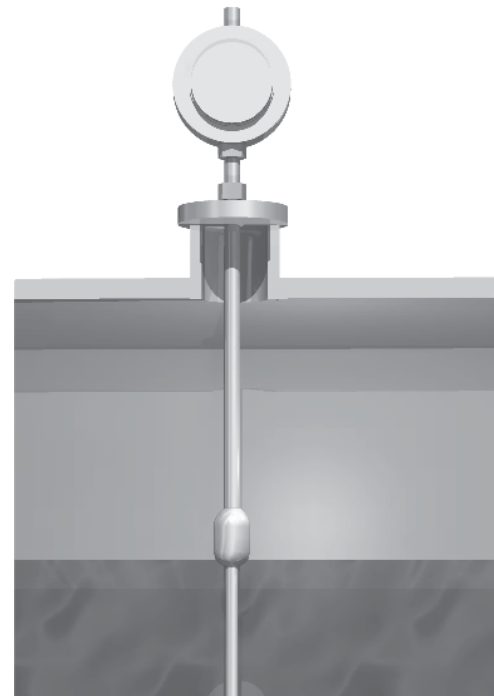
Installation Methods:
Inside Tank through riser or flanged opening.
Outside tank via bridal or float chamber

Local Display Available via MCG 1200M or MCG 1010M

Dimensions



Typical System Layout



All designs subject to change. Certified dimensions and specifications available upon request.