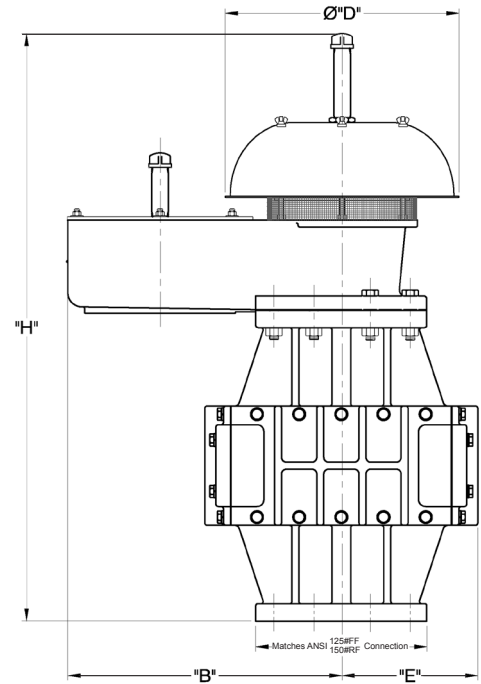






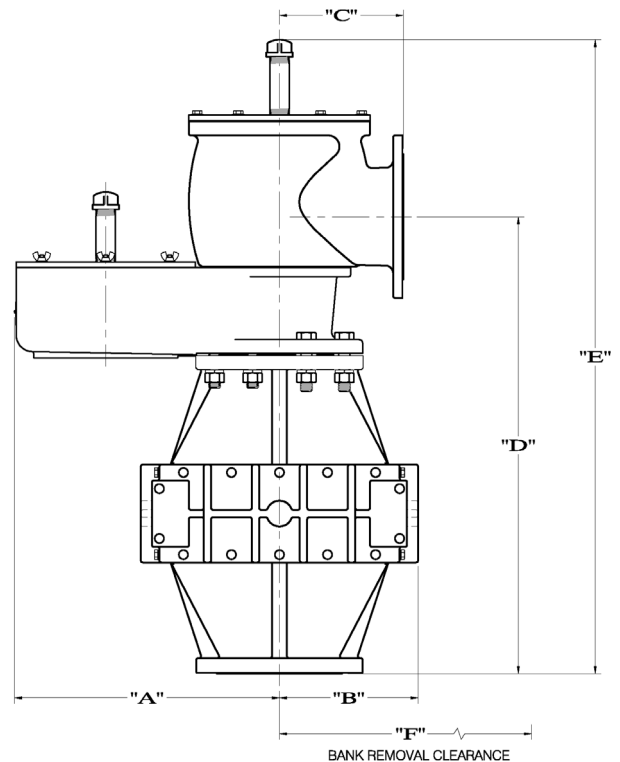
## Open Vent Outline Dimensions

Dimensions (Inches [mm])				
Valve Size	"B"	Diameter "D"	"E"	"H"
2 [50]	8 13/16 [224]	12 7/8 [327]	5 1/16 [129]	24 1/8 [613]
3 [75]	11 3/16 [284]	13 9/16 [345]	6 [152]	27 5/8 [702]
4 [100]	13 1/2 [343]	16 [406]	7 1/4 [184]	32 3/8 [822]
6 [150]	16 1/16 [424]	18 5/8 [473]	9 3/8 [238]	40 1/4 [1022]
8 [200]	20 1/2 [521]	18 5/8 [473]	11 1/8 [283]	49 3/8 [1254]
10 [250]	24 1/16 [627]	25 1/16 [649]	13 [330]	56 7/8 [1445]
12 [300]	29 1/16 [738]	29 7/8 [759]	14 1/16 [373]	66 5/8 [1692]



## Closed Vent Outline Dimensions

Dimensions (Inches [mm])						
Valve Size Inlet x Outlet	"A"	"B"	"C"	"D"	"E"	"F"
2" x 2"	8 29/32 [226]	5 1/16 [129]	4 1/4 [108]	17 23/32 [450]	23 13/16 [605]	19 [483]
2" x 3"			4 1/4 [108]	17 23/32 [450]	23 13/16 [605]	
3" x 3"	11 1/8 [283]	6 [152]	5 1/4 [133]	19 17/32 [496]	27 11/16 [703]	23 1/4 [591]
3" x 4"			5 1/4 [133]	18 1/2 [458]	27 11/16 [703]	
4" x 4"	12 15/16 [328]	7 1/4 [184]	6 1/2 [165]	23 23/32 [602]	37 1/16 [941]	28 1/8 [714]
4" x 6"			5 15/16 [151]	23 23/32 [602]	32 7/16 [824]	
6" x 6"	17 13/16 [452]	9 3/8 [238]	8 3/8 [213]	30 29/32 [785]	42 13/16 [1087]	31 1/8 [791]
6" x 8"			8 1/4 [210]	31 29/32 [810]	42 13/16 [1087]	
8" x 8"	21 31/32 [558]	11 1/8 [283]	9 3/4 [248]	39 1/32 [991]	53 1/2 [1359]	38 5/8 [981]
8" x 10"			9 3/4 [248]	40 1/32 [1017]	53 1/2 [1359]	
10" x 10"	26 3/8 [670]	13 [330]	11 19/32 [294]	42 1/32 [1076]	58 1/16 [1491]	41 5/8 [1057]
10" x 12"			11 19/32 [294]	43 1/32 [1101]	58 1/16 [1491]	
12" x 12"	30 1/16 [780]	14 1/16 [373]	12 13/16 [325]	50 23/32 [1288]	68 1/2 [1740]	50 [1270]
12" x 14"			12 13/16 [325]	51 1/32 [1304]	68 1/2 [1740]	



All designs subject to change. Certified dimensions and specifications available upon request.