

97220 Back Pressure Check Valve

The S&J 97220 Back Pressure Check Valve uses a free swinging "pendulum" pallet design to provide maximum flow rates with a minimum pressure drop in low pressure gas control lines.

Installing the 97220 downstream of meters, regulators, or other gas control devices protects these devices from possible damage due to accidental reversal of the gas flow. A removable cover provides easy access to the pallet and seat which are both entirely removable from the body. The 97220 is made from lightweight aluminum components providing for easy installation.

The 97220 matches most common manufactures' flange-to-flange dimensions which simplifies replacement of existing valves.

Its aluminum and stainless steel components withstand the severest of process environments. The S&J 97220 is especially designed for hydrogen sulfide and hot, wet methane which are the main components of digester gas streams in municipal waste water treatment facilities.

Specifications:

Body:

Aluminum Standard, 316 Stainless Steel Optional

Pallet, Pallet Arm, Removable Seat Ring:

Aluminum

Pallet Arm Shaft and All Hardware:

Stainless Steel

Connection:

125 lb. ANSI FF or NPT Connections

Maximum Working Pressure:

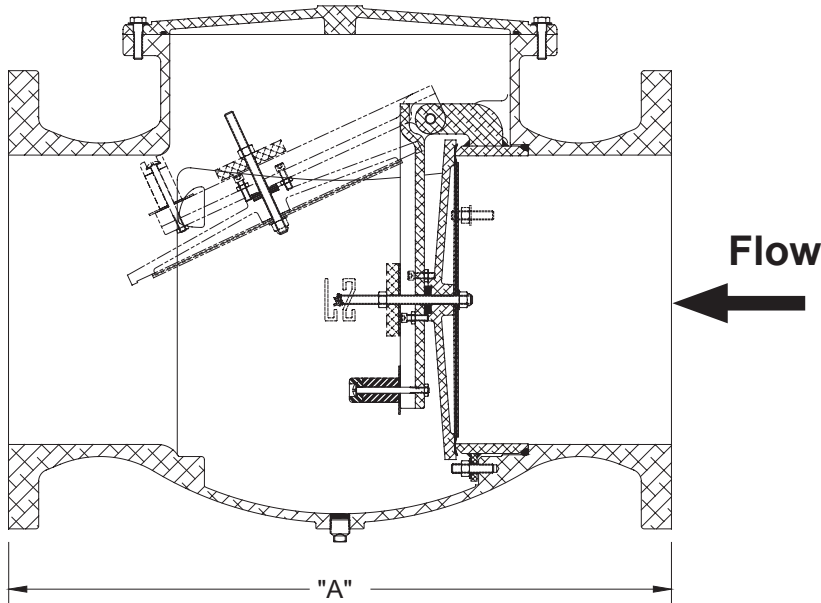
5 PSI



Features

- Eliminates Reverse Flow
- Replaceable Pallet/Seat
- Minimum Pressure Drop
- Sizes 2" Through 12"
- Flanged or Threaded Connections

Outline Dimensions



Line Diameter (Inches mm)	A (Inches [mm])	
	Flange	NPT
2 [50]	8 [200]	6 ¾ [172]
3 [75]	9 ¾ [238]	7 ¾ [197]
4 [100]	12 [305]	10 [254]
6 [150]	14 [356]	14 ¼ [362]
8 [200]	16 [406]	----
10 [250]	22 [559]	----
12 [300]	27 ½ [699]	----

Air Flow Capacity in Standard Cubic Feet per Hour x 1000 @ 60°F

Pressure Inches W.C.	Line Diameter						
	2"	3"	4"	6"	8"	10"	12"
0.25	0.66	1	1.5	3.4	6	8.5	12
0.5	1.3	2.4	4.3	7.7	14	20	28
0.75	2.1	4.3	8.8	14	25	36	52
1.0	2.8	6	12	23	40	58	84
1.5	4.1	8.5	16	34	58	86	124
2.0	5	10	20	39	72	106	155
3.0	6.2	13	24	48	91	132	190
4.0	7.4	15	29	57	109	157	226
5.0	8.5	17	33	66	125	180	259
6.0	9.4	19	36	72	138	198	286
8.0	11	22	42	84	161	232	334
10.0	12	25	47	95	180	260	374

All designs subject to change. Certified dimensions and specifications available upon request.