

97195 3-Way Plug Valve

The Shand & Jurs Model 97195 3-Way Plug Valve permits the safe and efficient maintenance of redundant pressure relief systems without any process interruptions. This is achieved through the smooth operation of the valve, allowing full flow from the primary system, to be diverted to the secondary system while providing positive shut off for the isolated system. The switching of the systems through a single valve requires only one connection into the pressure vessel, allowing quick change over and avoiding costly depressurizing of the system. The standard port configuration of the valve always provides flow between the bottom port and one of the side ports.

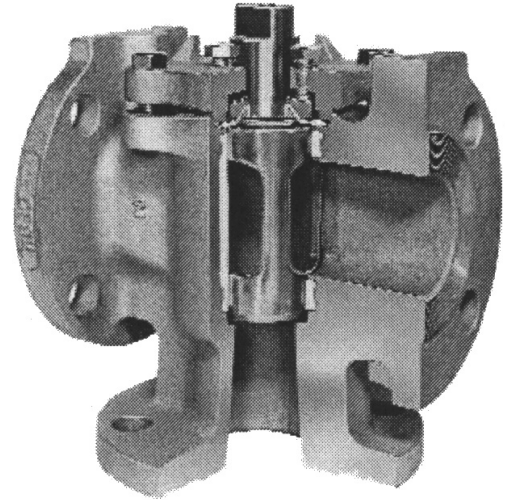
The Model 97195, 3-Way Plug Valve, is available in sizes from 2" to 10" with ANSI 150 lb. raised face or flat face connections. Bi-directional flow with simple actuation and light weight compact design improve system design. An inert PTFE sleeve completely surrounds the plug. The sleeve provides a large circumferential sealing surface from port to port.

The sleeve is securely nestled in the valve body. High pressure ribs, top and bottom retention, and 360° port lips assure sleeve containment. The sleeve design eliminates cold flow and deformation of the sleeve with superior sealing characteristics.

Further extending the life of the valve is the self-lubrication construction of the seal. No lubrication is required.

A wide selection of body materials are available to suit the needs of your specific application. Available materials of construction include 304 Stainless Steel, 316 Stainless Steel, and cast steel. The standard sleeve material is PTFE. Consult the factory for other material selections.

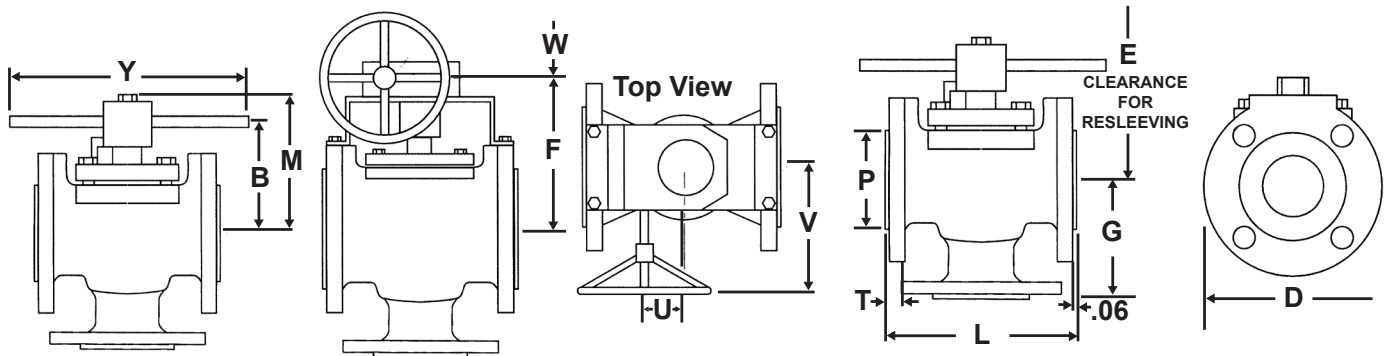
Operators are provided for all sizes. The standard operator for the 2" through 4" valves is the hand wrench. A gearbox with handwheel operator is standard on 6" through 10" valves.



Features

- Positive Gas Shut-off
- Non-lubricated design
- Permits online servicing in 2 valve system without depressurizing the vessel
- Operating torque gear box on larger sizes
- 180° rotation with shut-off to either side port

Outline Dimensions



Wrench & Enclosed Gear Operator Dimensions

These operator dimensions apply to all flange types and all multiport valves

Dimensions (Inches [mm])			
Size	M	B	Y
2" [50]	5.13" [130]	4.00" [100]	18.00" [457]
3" [75]	5.69" [145]	4.63" [118]	24.00" [610]
4" [100]	7.06" [179]	5.75" [146]	30.00" [762]

Size	F	W	U	V
4" [100]	8.75" [222]	6.00" [152]	2.06" [52]	8.00" [203]
6" [150]	11.50" [292]	9.00" [229]	2.62" [67]	10.38" [264]
8" [200]	13.50" [343]	9.00" [229]	2.62" [67]	10.38" [264]
10" [250]	15.25" [387]	12.00" [305]	3.53" [90]	12.31" [313]

Dimensions

Flanged End / Class 150

Dimensions (Inches [mm])						
Size	L	D	T	P	E	G
2" [50]	7.00" [178]	6.00" [152]	.63" [16]	3.63" [92]	9.13" [232]	4.50" [114]
3" [75]	8.00" [203]	7.50" [191]	.75" [19]	5.00" [127]	10.13" [257]	5.13" [130]
4" [100]	9.00" [229]	9.00" [229]	.94" [24]	6.19" [157]	22.00" [559]	6.00" [152]
6" [150]	10.50" [267]	11.00" [280]	1.00" [25]	8.50" [216]	25.00" [635]	7.50" [191]
8" [200]	11.50" [292]	13.50" [343]	1.13" [29]	10.63" [270]	28.00" [711]	9.00" [229]
10" [250]	13.00" [330]	16.00" [406]	1.19" [30]	12.75" [324]	29.00" [737]	11.00" [280]

NOTES: On 8" valves, the two top holes in the flange are tapped for 3/4-10UNC-2B threads.
On 10" valves, the two top holes in the flange are tapped for 7/8-9UNC-2B threads.

All designs subject to change. Certified dimensions and specifications available upon request.