

97186 View Port

The Shand & Jurs Model 97186 View Port is designed to provide the unhindered visual inspection of tank or digester contents while maintaining the gas-tight integrity of the system.

The 97186 is configured with a 10" dual port window that is mounted on a flat-faced rectangular frame. The maximum working pressure is 1 PSIG (6.9kPa).

The spraying system is designed to provide the directional distribution of water or solvent onto the interior surface of the observation glass.

A stainless steel wiper assembly with neoprene blade facilitates the interior cleaning of the observation window from any condensation or debris. An optional cleaning solvent reservoir and hand pump are available.

Materials of construction for base and cover include aluminum, carbon steel and 316 Stainless Steel. All wiper and internal spraying components are stainless steel.

Other sizes and alternate materials of construction are available upon request.

Specifications:

Base:

Aluminum, Steel or Stainless Steel

Cover:

Aluminum or Stainless Steel

Window:

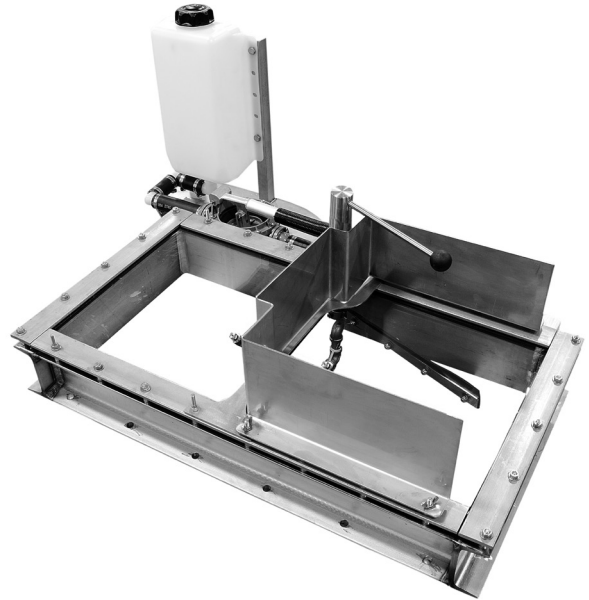
Tempered Glass (Polycarbonate available)

Maximum Pressure:

1 PSIG

Wipers/Gaskets:

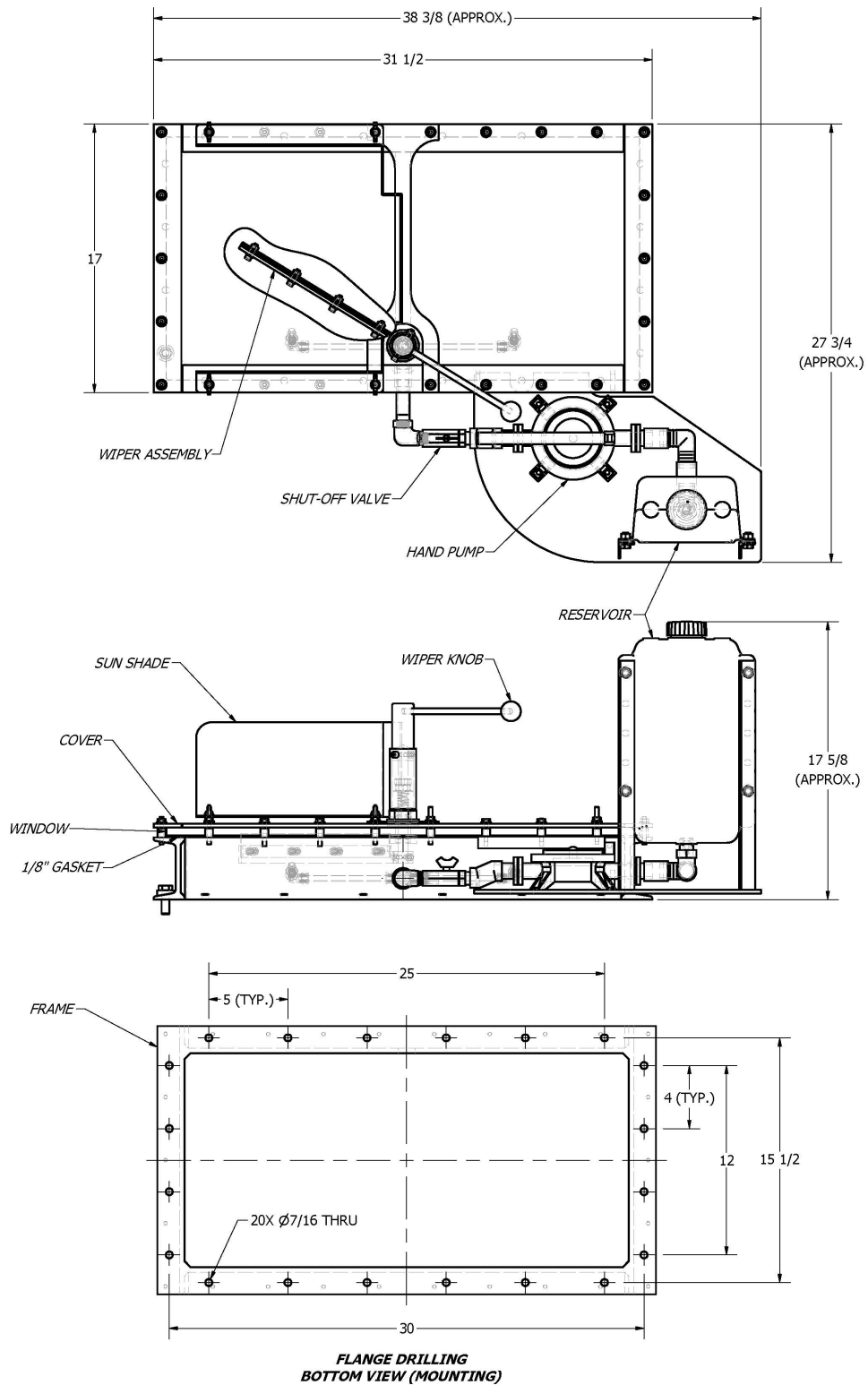
Neoprene (Buna-N available)



Features

- Easy Visual Inspection of Tank Contents
- High Strength Glass or Polycarbonate Window
- Corrosion Resistant Construction
- Gas Tight
- Integrated Cleaning System
- Maximum Working Pressure 1 PSIG

Outline Dimensions



All designs subject to change. Certified dimensions and specifications available upon request.

97186 Ordering Guide

Model Number Selection

The model number will have a base number **97186** followed by 5 digit numbers. These digits will represent 5 sets of option tables.

97186 - AB - CD - E

Table A - Frame / Cover Material

Option A	Frame Material	Cover Material
1	Aluminum Base	Aluminum Cover
2	Aluminum Base	Stainless Steel Cover
3	Cast Steel Base	Aluminum Cover
4	Cast Steel Base	Stainless Steel Cover
5	Stainless Steel Base	Stainless Steel Cover

Table B - Size & Connection

Option B	Body Material
5	*10" FF Rectangular

* Other sizes and connections available

Table C - Window / Softgoods

Option C	Window Material	Softgoods
0	Tempered Glass	Neoprene
1	Polycarbonate	Neoprene

Table D - Sprayer System

Option D	Sprayer System
0	None
1	Stainless Steel
2	Stainless Steel with Sprayer Pump

Table E - Sunshield Material

Option E	Sunshield Material
0	None
1	Aluminum
2	Stainless Steel