

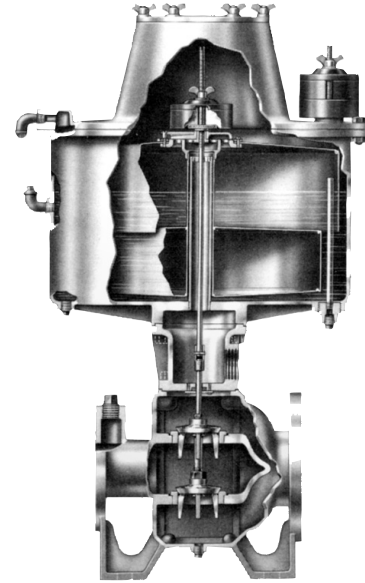
97170 Double Port Pressure Regulator

The S&J 97170 Double Port Pressure Regulator maintains a constant upstream or downstream pressure in gas blanketing, vapor recovery and other similar gas systems. The Regulator is a double port, direct drive, float actuated valve.

Simple weights provide a factory calibrated set point with the standard range being from minus 0.4" to minus 0.1" and an optional minus 0.5" to 1.5" range for higher pressures. The standard for a flanged aluminum body is 2" to 8" with Stainless Steel pallets. An optional 1" NPT connection is also available. A large diameter float provides greater sensitivity with reduced line bounce. A reliable control protects valuable equipment. There are also no linkages to corrode, bind or develop friction.

The valve can be configured as a back pressure regulator to provide a reliable gas flow or as a pressure reducing regulator which will maintain a constant downstream pressure.

Its aluminum and stainless steel components withstand the severest of process environments. The S&J 97170 is especially designed for hydrogen sulfide and hot, wet methane which are the main components of digester gas streams in municipal waste water treatment facilities.



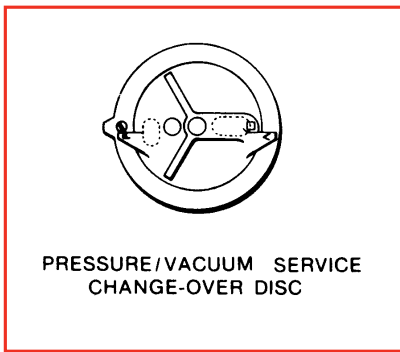
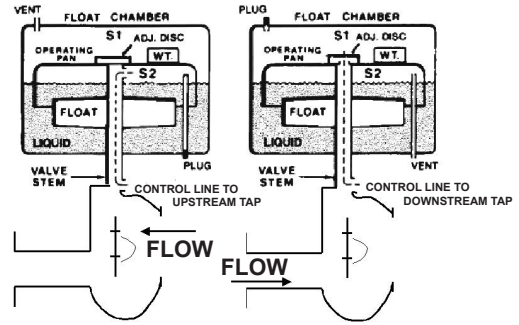
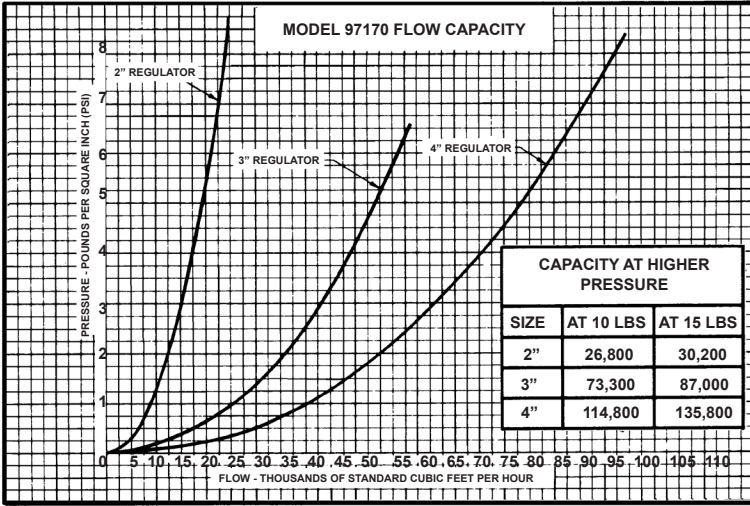
Features

- Direct Drive Actuation
- One Valve for Upstream or Downstream Control of Low Pressure Gas Lines
- Float and Liquid Design for Greater Sensitivity
- Fewer Moving Parts for Longer Service Life
- No External Power Source Required

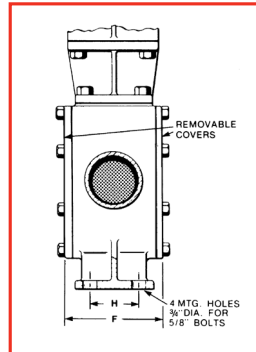
97170 Double Port Pressure Regulator



Dimensions



VIEW A-A



SECTION B-B

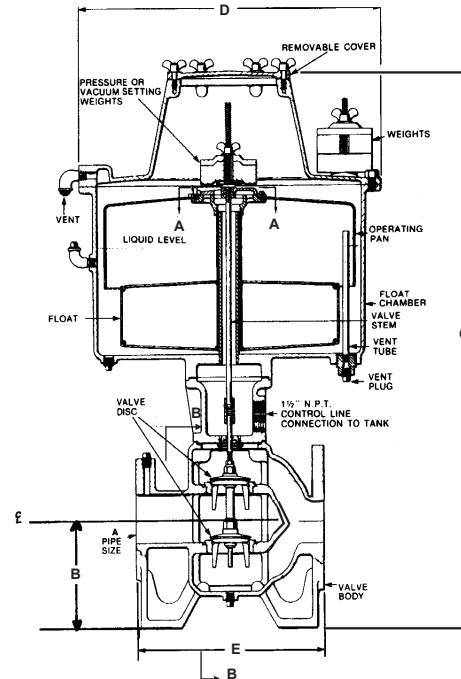


Table of Dimensions for Standard Pressure Range (Inches [mm])				
A	B	C	D	E
2 [50]	6 3/4 [171]	33 3/4 [857]	19 1/4 [489]	13 [330]
3 [75]	6 3/4 [171]	34 1/2 [876]	19 1/4 [489]	14 [356]
4 [100]	6 3/4 [171]	35 3/8 [899]	19 1/4 [489]	17 [432]
6 [150]	10 1/4 [260]	40 3/4 [1035]	19 1/4 [489]	20 [508]
8 [200]	13 5/8 [346]	67 1/2 [1715]	19 1/4 [489]	25 7/8 [657]

All designs subject to change. Certified dimensions and specifications available upon request.



97170 Ordering Guide

Model Number Selection

The model number will have a base number **97170** followed by 4 digit numbers. These digits will represent 4 sets of option tables.

97170 - AB - CD

Table A - Valve Body Material

Option A	Valve Body Material
1	Aluminum
2	Steel

Table C - Pressure Range Valve Configuration

Option C	Pressure Range
1	-0.4" to 1" W.C.
2	0.5" to 1.5" W.C.

Table B - Line Size

Option B	Line Size
1	1"
2	2"
3	3"
4	4"
6	6"
8	8"

Table D - Control

Option D	Description
1	Back Pressure
2	Pressure Reducing

<i>Setting Range</i>	<i>Valve Configuration</i>
11 =	Standard Pressure Range (-.4" to 1") / Back Pressure Configuration
12 =	Standard Pressure Range (-.4" to 1") / Pressure Reducing Configuration
21 =	High Pressure Range (.5" to 1.5") / Back Pressure Configuration
22 =	High Pressure Range (.5" to 1.5") / Pressure Reducing Configuration