

95210 Clamping Manhole Cover

The Shand & Jurs 95210 Clamping Manhole Cover is designed as an economical solution that provides ready access to product storage tanks and anaerobic digester covers by means of an easily opened hinged cover.

The design of the 95210 employs a threaded clamping handle along with a flexible seal, affording a tight seal between the pallet and the corrosion resistant seat. This feature minimizes vapor leakage and provides for a watertight seal.

The design is also spark resistant when specified with bronze, brass or stainless steel clamping hardware. Specify ATEX option.

For tank gauging, access or examination, the entire hinged cover may be lifted open in a matter of seconds offering clear passage through the unobstructed opening.

All sizes have flat face, drilled flanges. An undrilled flange version and other special construction types are also available.

Materials of Construction:

Base:

Aluminum, Steel, or Stainless Steel

Cover:

Aluminum, Steel, or Stainless Steel

Seal:

Buna-N or Neoprene (Other available)

Clamping Hardware:

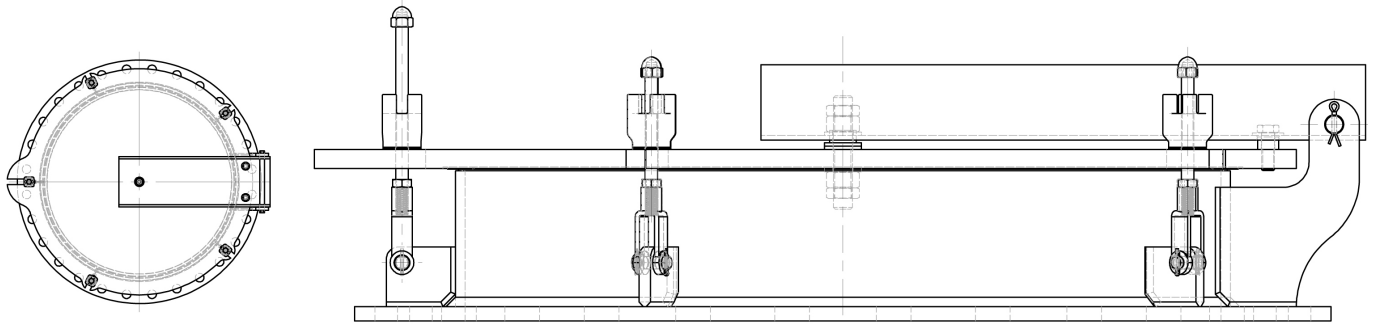
Stainless Steel, Steel, Brass or Bronze



Features

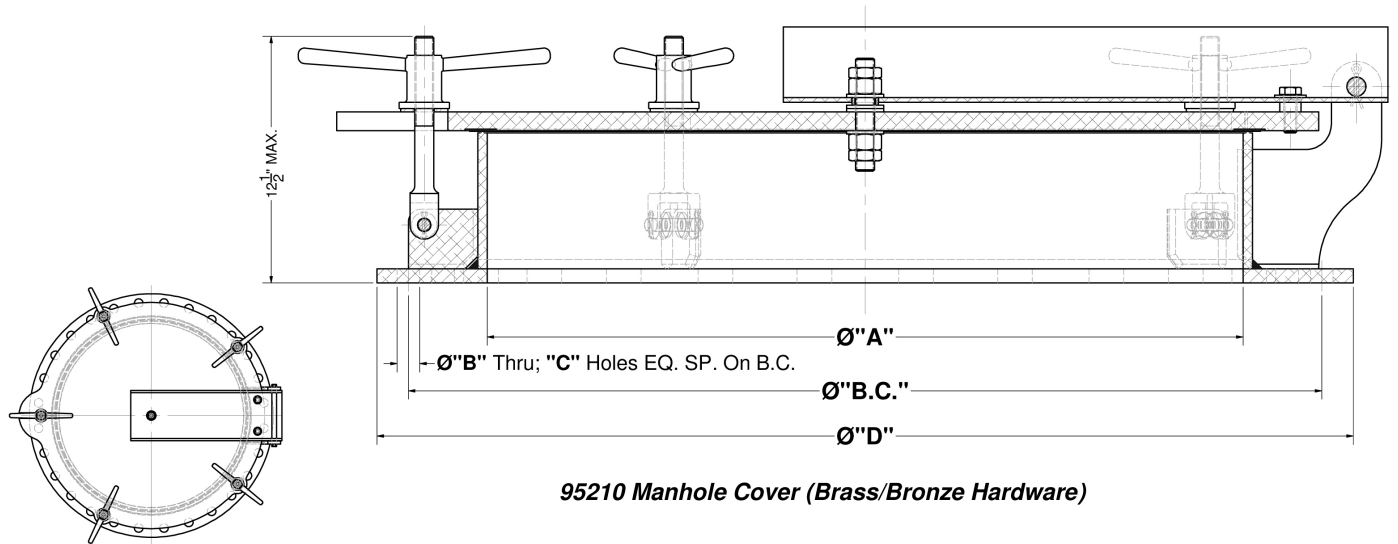
- Easy access to storage tanks and digester covers for maintenance and inspection
- 16", 18", 20", 24", 30", 36" and 48" sizes
- ANSI, API, EN1092 and other connection types available
- Threaded clamping handle provides gas-tight and watertight seal
- Maximum working pressure of 3 psig (16"-24"sizes), 1 psig (30", 36" and 48" sizes)
- Materials of construction include aluminum, steel & 316 Stainless Steel
- Steel, stainless steel, brass or bronze clamps

Dimensions



Top View (Steel Hardware)

95210 Manhole Cover (Steel Hardware)



Top View (Brass/Bronze Hardware)

95210 Manhole Cover (Brass/Bronze Hardware)

Size	A	B	C Holes	B.C.	D	Connection
16"	16"	1 1/8"	16	21 1/4"	23 1/4"	ANSI 125/150 lbs. Flange Class
18"	18"	1 1/4"	16	22 3/4"	25"	
20"	20"	1 1/4"	20	25"	27 1/2"	
24"	24"	1 3/8"	20	29 1/2"	32"	
30"	30"	1 3/8"	28	36"	38 3/4"	
36"	35 1/4"	1 5/8"	32	42 3/4"	46"	
48"	47 1/4"	1 5/8"	44	56"	59 1/2"	
20"	20"	3/4"	16	23 1/2"	26"	API 650
24"	24"	3/4"	20	27 1/2"	30"	

All designs subject to change. Certified dimensions and specifications available upon request.