

94550 Combination Flame Arrester & Free Vent

The Shand & Jurs 94550 Combination Flame Arrester/Free Vent provides both positive fire stop and maximum venting in a compact fitting.

This Shand & Jurs fitting features an easily accessible, unitized tube bank. It's completely removable for quick inspection and servicing, even under severe conditions of unpredictable corrosion or neglect.

The tube bank consists of passages formed by spirally winding alternate flat and corrugated sheet stock around a solid core. To insure maximum flow, constant tension control is maintained during winding.

The tube bank is contained by its shell between the body and free vent adapter. The hood and adapter can be easily removed as a unit.

Standard body construction material choices include light weight cast aluminum, cast steel, 316 stainless steel, ductile iron and cast iron. Raised face or flat face flange for all materials except aluminum.

The Shand & Jurs 94550 Flame Arrester/Free Vent Combination fitting is available in 2", 3", 4", 6", 8", 10" and 12" sizes to match ANSI or EN1092 specifications.



Features

- One compact fitting for positive flame arrest & maximum flow venting
- Easily accessible, unitized tube bank
- Available in sizes 2" through 12" ANSI or EN1092 Flange Types
- Standard construction available in Cast Aluminum, Cast Steel, 316 Stainless Steel, Ductile Iron and Cast Iron
- FM Approved, NEC Group D gas

94550

Combination Flame Arrester & Free Vent



Specifications

***Sizes:**

2", 3", 4", 6", 8", 10" and 12"

*Consult Factory for larger sizes

Max. Static Pressure:

5 PSIG Standard.

Flange Rating:

To match drilling of ANSI 125/150 lb. flat face or 150 lb. raised face (cast aluminum body option available with flat face only). EN1092 and JIS options.

Approval/Gas Application:

FM (Factory Mutual), NEC Group D

Materials of Construction

Body:

Cast Iron, Cast Steel, Cast Aluminum, or 316 Stainless Steel

Hardware:

18-8 Stainless Steel Standard

316 Stainless Steel (Optional)

Tube

Aluminum with Aluminum Shell;

304 Stainless Steel with Steel Shell;

304 Stainless Steel with 304 Stainless Steel Shell;

316 Stainless Steel with 316 Stainless Steel Shell

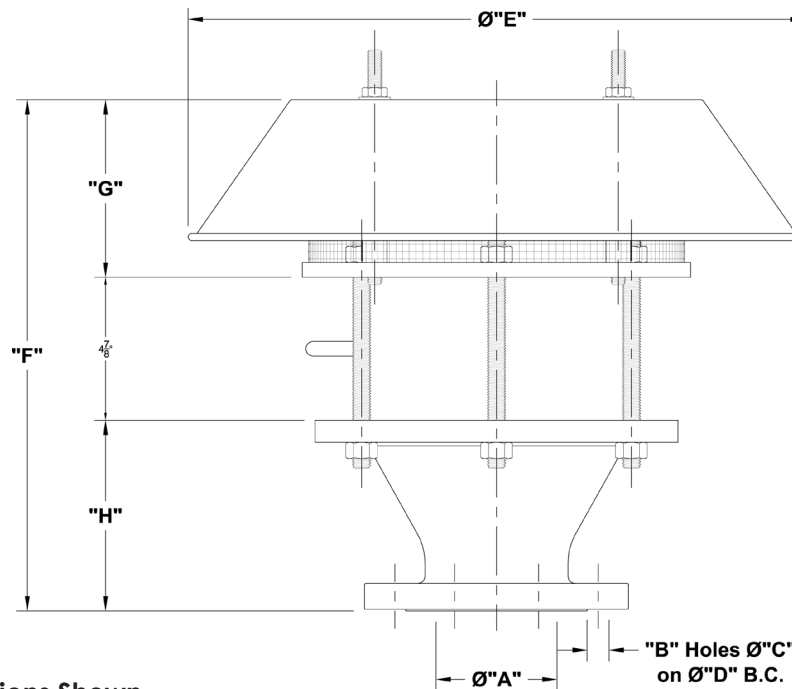
Hood:

2"-3" Size: Stainless Steel

4"-12" Size: Aluminum

316 SS Optional

Outline Dimensions



ANSI 125/150 lb. Connections Shown

Vent Size	"A"	"B"	"C"	"D"	"E"	"F"	"G"	"H"
2"	2 1/4	4	3/4	4 3/4	16	17 3/8	7	4 1/4
3"	3 3/16	4	5/8	6	18 5/8	17 3/4	7	5 3/8
4"	4 1/8	8	3/4	7 1/2	20 1/16	17 7/8	6 3/8	6 1/2
6"	6 5/32	8	7/8	9 1/2	27 1/8	19 7/8	7 3/8	7 1/2
8"	8 1/64	8	7/8	11 3/4	29 1/4	24 7/16	9 5/8	9 13/16
10"	10 1/4	12	1	14 1/4	45 1/2	30 1/4	13 1/4	12
12"	12 3/8	12	1	17	45 1/2	32 1/4	13 1/4	14

All designs subject to change. Certified dimensions and specifications available upon request.

