

## 94307 Horizontal Flame Arrester

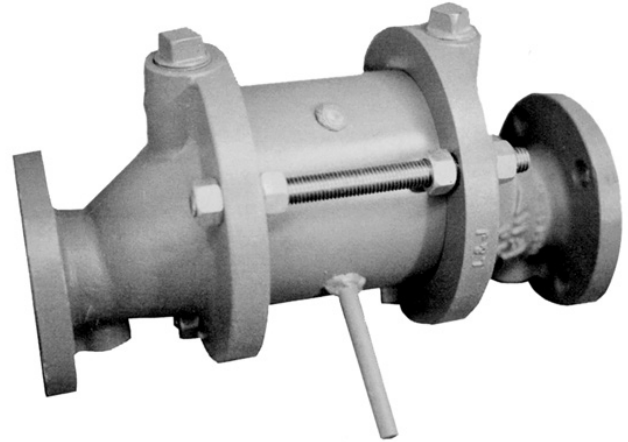
The Shand & Jurs 94307 Horizontal Flame Arrester is designed to provide a positive flame stop in gas piping systems. The 94307 not only provides exceptional protection against propagation of fire, but also offers maximum flow capacity. It is specifically designed to prevent liquid accumulation in the tube bank assembly.

The tube bank design, consisting of a spiral wound crimped ribbon around a solid core, maximizes flow capacity with minimum pressure drop. Standard construction includes cast aluminum, cast steel and 316 stainless steel body materials suitable for most environments. The tube bank is available in aluminum, 304 stainless steel and 316 stainless steel. The 94307 is gasketed for maximum of 10 psi static pressure standard. Higher static pressures available.

Periodic inspection, maintenance and replacement of tube bank is as simple as removing tie-bolts and expanding the remaining jack screws. Once the body sections are expanded, the tube bank and shell are easily removed.

Available with flat face or raised face flanges to match ANSI, EN1092, or JIS 10K connections.

For in-line deflagration arrester, see the Shand & Jurs 94407.



### Features

- Unitized tube bank design
- Maximum protection and efficiency with minimum pressure drop
- Wide range of standard construction materials
- Easy inspection and maintenance, due to simple removal of tube bank
- Complete range of sizes from 2" through 12". Consult factory for larger sizes
- NEC Group D gas applications

# 94307 Horizontal Flame Arrester



## Specifications

### \*Sizes:

2", 3", 4", 6", 8", 10" and 12"

\*Consult Factory for larger sizes

### Max. Static Pressure:

10 PSI Standard.

25 and 50 PSI Consult Factory.

### Flange Rating:

To match drilling of ANSI 125/150 lb. flat face or 150 lb. raised face (cast aluminum body option available with flat face only). EN1092 and JIS 10K options.

### Gas Application:

NEC Group D

## Materials of Construction

### Body:

Cast Steel, Cast Iron, Cast Aluminum, or 316 Stainless Steel

### Hardware:

18-8 Stainless Steel (Standard) or 316 Stainless Steel

### Tube Bank:

Aluminum, 304 or 316 Stainless Steel

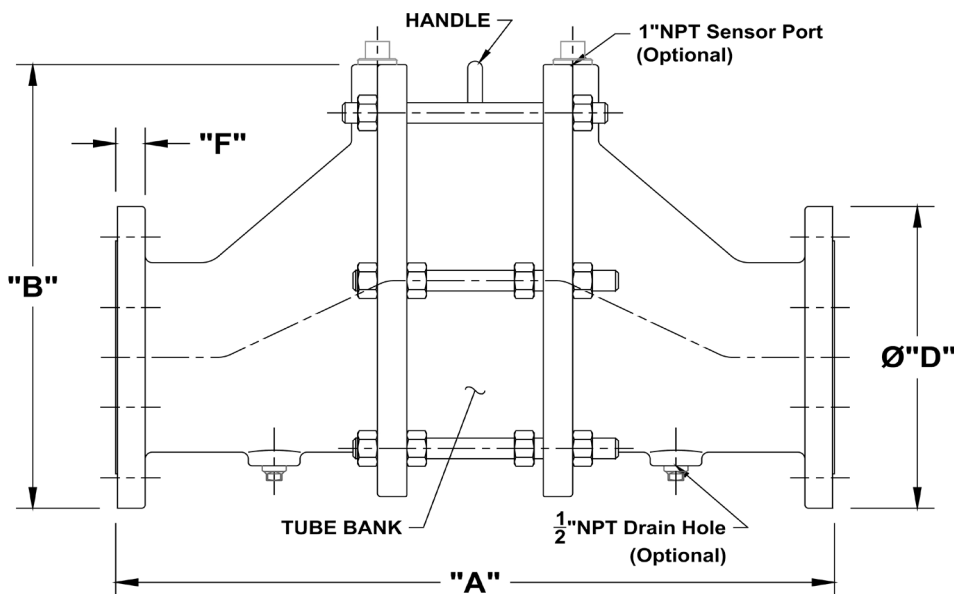
### Gaskets:

Synthetic Composition

## Outline Dimensions

Dimensions in Inches				
Vent Size	"A"	"B"	Diameter "D"	"F"
2"	14 1/2	8 5/32	6	5/8
3"	16	10 11/16	7 1/2	3/4
4"	20	12 3/16	9	15/16
6"	24 3/8	16 11/64	11	1
8"	32 1/8	20 7/8	13 1/2	1 1/8
10"	33 3/8	24 3/4	16	1 3/16
12"	34 3/8	29 5/16	19	1 1/4

Installation Note: Locate flame arrester within 10 pipe diameters of potential atmospheric ignition source.



All designs subject to change. Certified dimensions and specifications available upon request.

