

94241 Free Vent (Hooded)

The Shand & Jurs Model 94241 Free Vents are designed for use on bulk liquid storage tanks containing non-volatile liquids. The free vent is also used on vent riser pipes.

The Model 94241 Free Vent provides protection against rain, dirt, birds, insects and other foreign matter from entering storage tanks, while allowing atmosphere and vapors to flow freely. Installation is quick and easy.

This free vent is available in 2", 3", 4", 6", 8", 10", 12", 16", 18", 20", 24" and 30" sizes. The base fits 125/150 lb. ANSI or API (20" and 24" sizes) flat face flanges. Materials of construction available in steel, aluminum and stainless steel.

Specifications

Sizes:

2", 3", 4", 6", 8", 10", 12", 16", 18", 20", 24" & 30"

Flange Rating:

To match drilling of ANSI 150 lb. flat face.
EN1092-1 and JIS 10K Flange Available.

Materials of Construction*

Base:

Aluminum, Steel, 316 Stainless Steel

Stud, Nuts & Washers:

Steel, Stainless Steel or 316 Stainless Steel

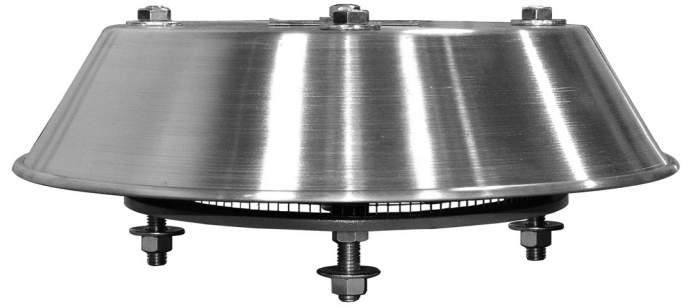
Screen:

Galvanized Steel, Stainless Steel or 316 Stainless Steel

Hood:

Aluminum or 316 Stainless Steel

*Hardware and screen is SS with 316SS base and hood option.



Features

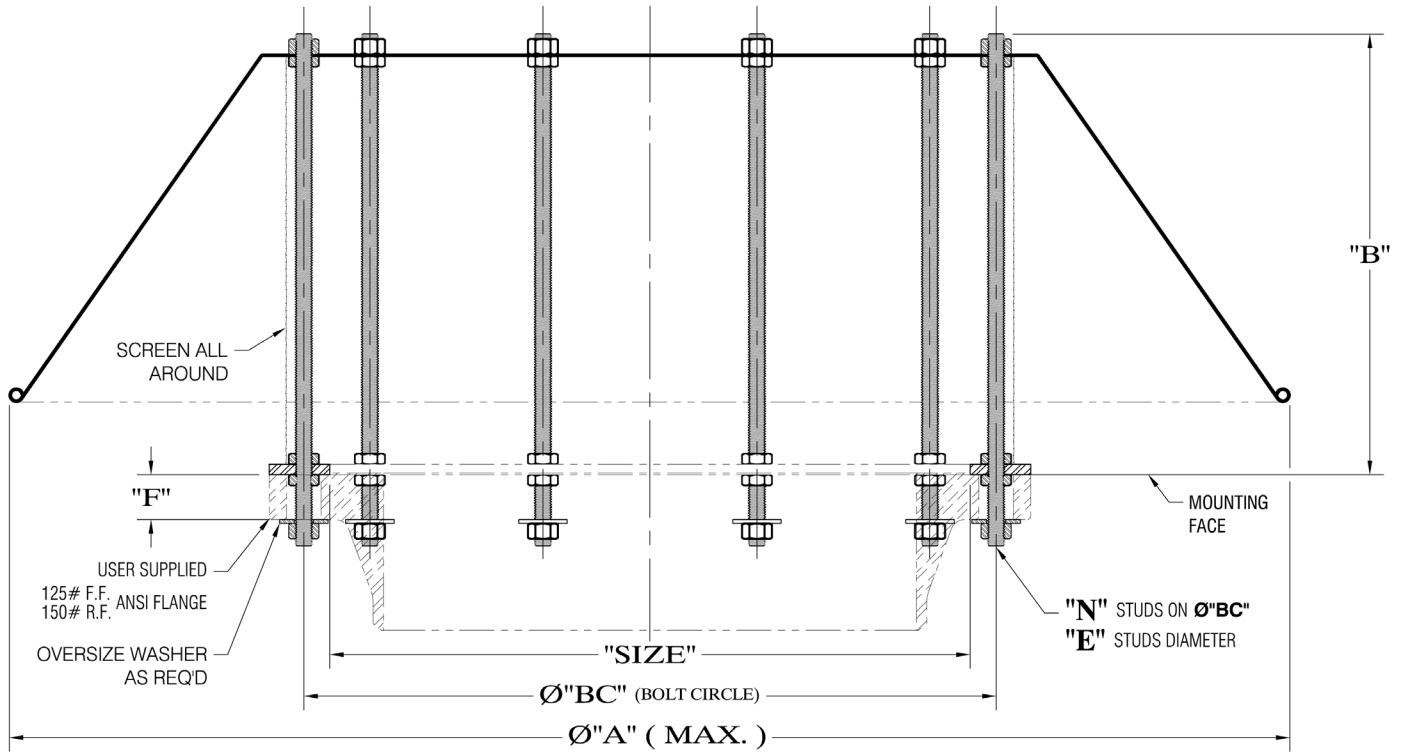
- Protects tank contents from foreign debris
- Quick and easy maintenance
- Available in sizes 2" through 30" ANSI FF 125/150 lb. flange
- 20" and 24" API 650 also available
- EN1092-1 and JIS flange connections available on request

94241

Free Vent (Hooded)



Outline Dimensions



125/150 lb. ANSI Class Flange

Dimensions (2" - 30")						
Size	A	B	BC	N	E	F
2"	13 ⁹ / ₁₆	4 ⁷ / ₈	4 ³ / ₄	4	³ / ₈	³ / ₄
3"	13 ¹ / ₂	4 ¹ / ₄	6	4	³ / ₈	¹⁵ / ₁₆
4"	14 ¹ / ₂	4 ³ / ₈	7 ¹ / ₂	4	³ / ₈	¹⁵ / ₁₆
6"	* 16 ¹ / ₂	* 4 ⁷ / ₈	9 ¹ / ₂	4	¹ / ₂	1
8"	20 ¹ / ₂	6 ³ / ₈	11 ³ / ₄	4	¹ / ₂	1 ¹ / ₈
10"	27 ³ / ₄	7 ³ / ₈	14 ¹ / ₄	6	¹ / ₂	1 ³ / ₁₆
12"	* 29 ¹ / ₄	9 ⁵ / ₈	17	6	¹ / ₂	1 ¹ / ₄
16"	46 ¹ / ₄	16 ¹⁵ / ₁₆	21 ¹ / ₄	8	⁵ / ₈	1 ⁷ / ₁₆
18"	46 ¹ / ₄	16 ¹⁵ / ₁₆	22 ³ / ₄	8	⁵ / ₈	1 ⁹ / ₁₆
20"	46 ¹ / ₄	16 ¹⁵ / ₁₆	25	10	⁵ / ₈	1 ¹¹ / ₁₆
24"	46 ¹ / ₄	15 ¹ / ₈	29 ¹ / ₂	10	⁵ / ₈	1 ⁷ / ₈
30"	59 ⁷ / ₈	15 ¹ / ₈	36	14	³ / ₄	2 ¹⁵ / ₁₆

* Dimensions shown are for aluminum hood option only.

All designs subject to change. Certified dimensions and specifications available upon request.

