

94201 Emergency Vent and Manhole Cover

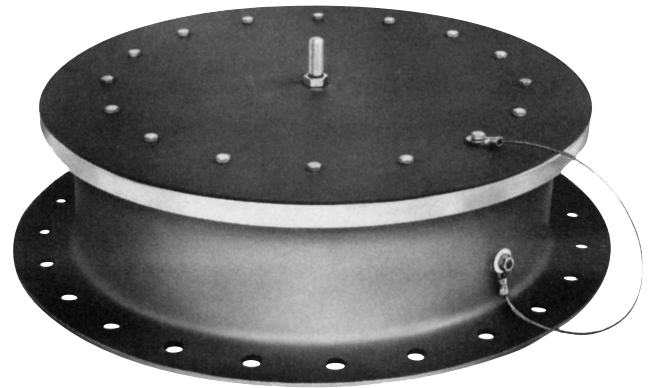
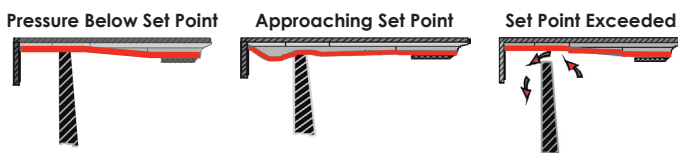
The Shand & Jurs 94201 Emergency Vent and Manhole Cover with "Expanda-Seal" is an economical solution to present day emergency venting requirements. It is designed to relieve excessive internal pressure in liquid storage tanks while providing excellent protection against costly tank roof rupture repair. The "Expanda-Seal" design also decreases product leakage below actual set point. The standard design is available in 20" & 24" flange.

The Model 94201 is available with low base for liquid overflow. When specified, elongated guides and special stops can be provided to limit pallet lift. The pallet guide is deep enough to assure proper reseating of pallet after pressure relief at lower overpressures. Pallet will reseat when tank pressure drops below set pressure.

For tank venting or examination, the pallet may be removed from its base offering a clear unobstructed passage. A retaining cable is provided to attach the pallet to the base.

Expanda-Seal

Shand & Jurs "Expanda-Seal" option is available on all pressure pallet assemblies. This feature significantly reduces leakage. The ballooning effect of the Teflon diaphragm effectively seals the valve.



Features

- Easy installation, convenient handling
- "Expanda-Seal" design for applications where low leakage rates are a requirement
- 20" opening with 20" and 24" flanges
- API 650 or 150 lb ANSI compatibility
- EN1092-1 sizes available
- Materials include Aluminum, Steel & 316 Stainless Steel

Specifications

Pressure Setting:

Pressure Setting: Ranges from 1.0 oz/in² to 5.78 oz/in²

Materials of Construction

Base:

Steel, Aluminum or 316 Stainless Steel

Diaphragm:

FEP Teflon

Back-Up Disc:

Reinforced fiber composition

Diaphragm Seat:

Inlaid 316 Stainless Steel on Steel Base

Aluminum on Aluminum Base

316 Stainless Steel on 316 Stainless Steel Base

Pallet, Clamp Ring, Guide:

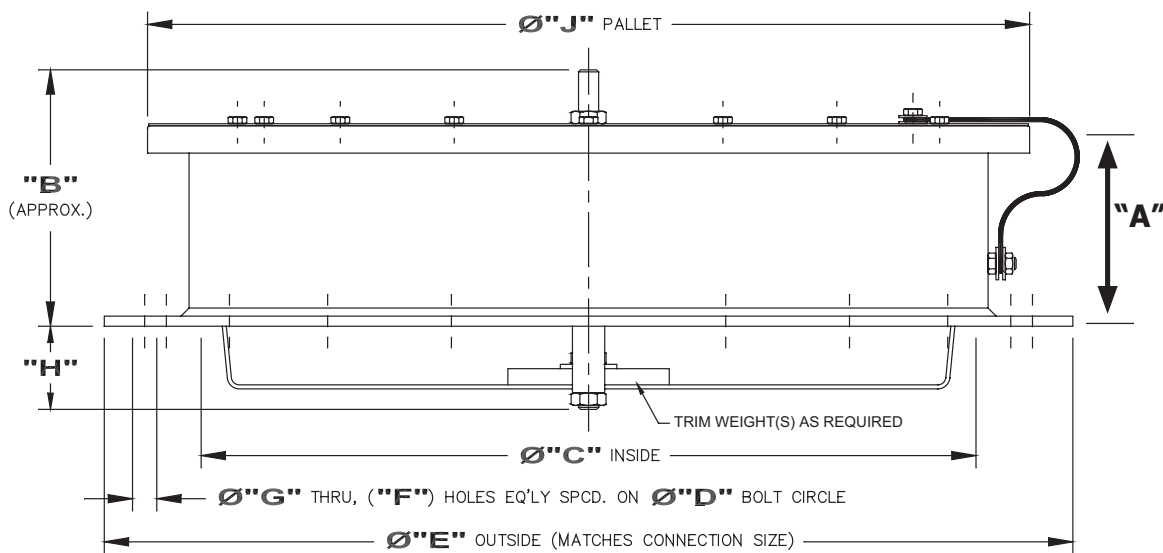
Aluminum, Steel or 316 Stainless Steel

Alternate materials of construction available on request.

Dimensions

Vent Size	Connection Matching Size	"B" Note 1	"C"	"D" Bolt Circle	"E"	"F" Holes	"G"	"H"	"J" Pallet
20"	20" 125 lb. /150 lb. ANSI	9 1/4	20	25	27 1/2	20	1 1/4	1 1/4	23 5/16
20"	24" 125 lb. /150 lb. ANSI	9 1/4	20	29 1/2	32	20	1 3/8	1 1/4	23 5/16
24"	24" 125 lb. /150 lb. ANSI	9 1/4	24	29 1/2	32	20	1 3/8	1 1/4	27 5/16
20"	20" API Roof Manhole	9 1/4	20	23 1/2	26	16	3/4	1 1/4	23 5/16
20"	24" API Roof Manhole	9 1/4	20	27 1/2	30	20	3/4	1 1/4	23 5/16
24"	24" API Roof Manhole	9 1/4	24	27 1/2	30	20	3/4	1 1/4	27 5/16

Note 1: "A" = 6 1/4" for High and Limited Lift Base
 "A" = 2 1/8" for Low Base
 "H" = 3 1/2" for Low Base



All designs subject to change. Certified dimensions and specifications available upon request.