

## 94160 Pressure Relief Vent

The Shand & Jurs 94160 Pressure Relief Vent provides pressure relief for storage tanks and low pressure vessels. Utilizing a flange mounted design, this economical vent provides maximum flow capacity and high efficiency.

The improved vent uses a reduced number of standard components thus minimizing maintenance and replacement costs.

Standard materials of construction include aluminum, cast iron, steel and 316 stainless steel. This selection of materials is suitable for applications in corrosive and toxic product environments.

To ensure alignment and seating, the pressure pallet used is both peripheral and center stem guided. For added reliability and extended service, the diaphragm is "cushion seated" and constructed of FEP Teflon, contributing to high resistance to adhesion of ice and gum formation. Seat rings are field replaceable.

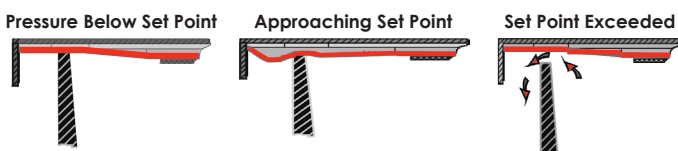
For additional protection, a weatherhood and a coarse mesh screen surrounding the entire valve prevent foreign matter from entering the valve.

A standard flanged base for sizes 2" thru 24" will fit 150 lb. ANSI FF/RF Flanges. Flanged base materials are aluminum, cast iron, cast steel, ductile iron and stainless steel. RF Flange is not available in aluminum.

### Expanda-Seal

Shand & Jurs "Expanda-Seal" option is available on all pressure pallet assemblies. This feature significantly reduces leakage. The ballooning effect of the Teflon diaphragm effectively seals the valve.

The "Expanda-Seal" feature ensures less than .5 SCFH of air at 95% of the set point.



## Features

- Designed for high efficiency & economy
- Provides maximum flow capacity
- Reduces maintenance and replacement costs
- Suitable for corrosive and toxic applications
- Standard flange base for 2", 3", 4", 6", 8", 10", 12", 16", 20" and 24" to fit 150 lb. ANSI flanges
- "All Weather" Teflon coating available

## Specifications

### Sizes:

2", 3", 4", 6", 8", 10", 12", 16", 20" and 24"  
(other sizes available upon request)

### Flange Connection:

Matches valve size 150 lb. ANSI, API, EN1092-1 or JIS 10K.

### Standard Setting (Min.):

0.5 oz/in<sup>2</sup> (0.865" W.C.) (See Standard Setting Table)

### Maximum Setting:

16 oz/in<sup>2</sup> (Without modification)  
(higher settings available with modification)

### Temperature Range:

Body and Seal Options for Process Temperature Ranges of -50°F to 500°F

### Service and Body Material\*:

Normal: Aluminum  
Severe: Cast Iron, Ductile Iron, Steel, 316 Stainless Steel  
Seats\*\*:

Normal Service, Aluminum for all sizes,

Severe Service 316 Stainless Steel\*\* for all sizes

\* Optional materials of construction available on request.

\*\* Teflon seats available for 3", 4" and 6" sizes

NOTE: 16"-24" sizes not available in Cast or Ductile Iron

## Standard Materials of Construction

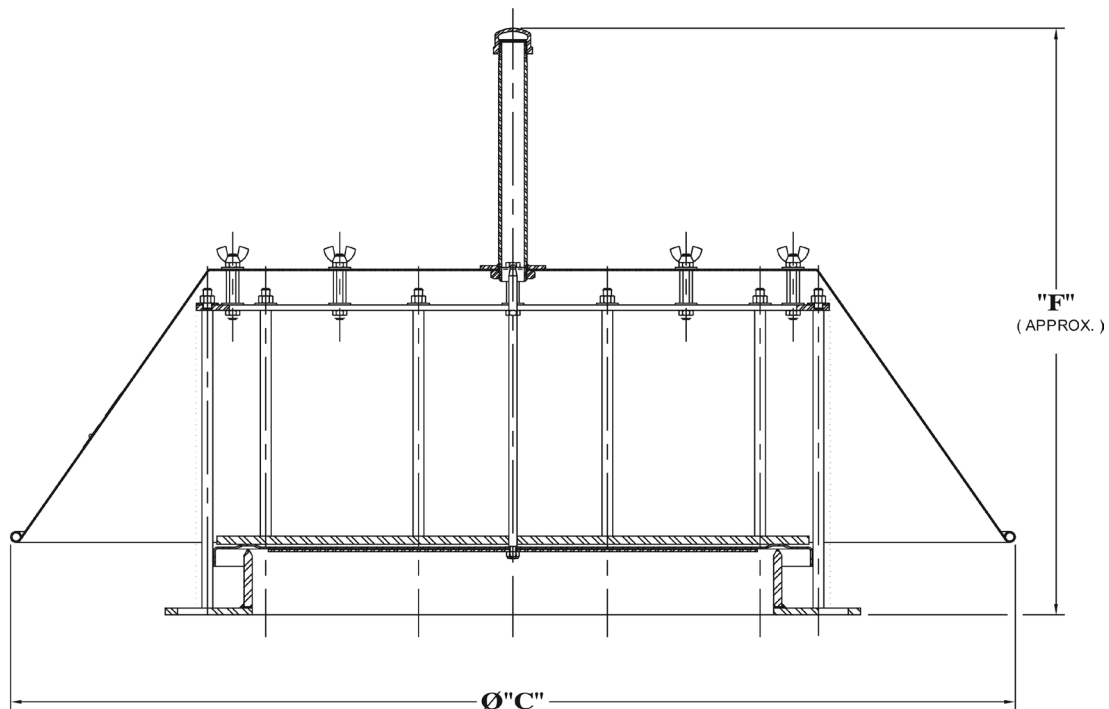
Service	Body	Pallet & Retainer	Seat	Pallet Stem	Pallet Side Guides	Stem Guides	Diaphragm	Screen	Hardware
Norm. Alum.	Alum.	Alum.	Alum.	Alum.*	316 SS	GS	Teflon	GS	Stainless Steel
Severe Iron	CI/DI	316 SS	316 SS	316 SS	316 SS	GS	Teflon	304 SS	316 SS
Severe Steel	CS	316 SS	316 SS	316 SS	316 SS	GS	Teflon	304 SS	Stainless Steel
Severe 316 SS	316 SS	316 SS	316 SS	316 SS	316 SS	316 SS	316 SS	316 SS	316 SS

\* 316 SS pallet stem used in place of aluminum for elevated settings  
HOODS: 2" -10" Sizes - 18-8 Stainless Steel or 316 Stainless Steel  
12" -24" Sizes - Aluminum, Steel, or 316 Stainless Steel

CS = Cast Steel  
CI = Cast Iron  
DI = Ductile Iron

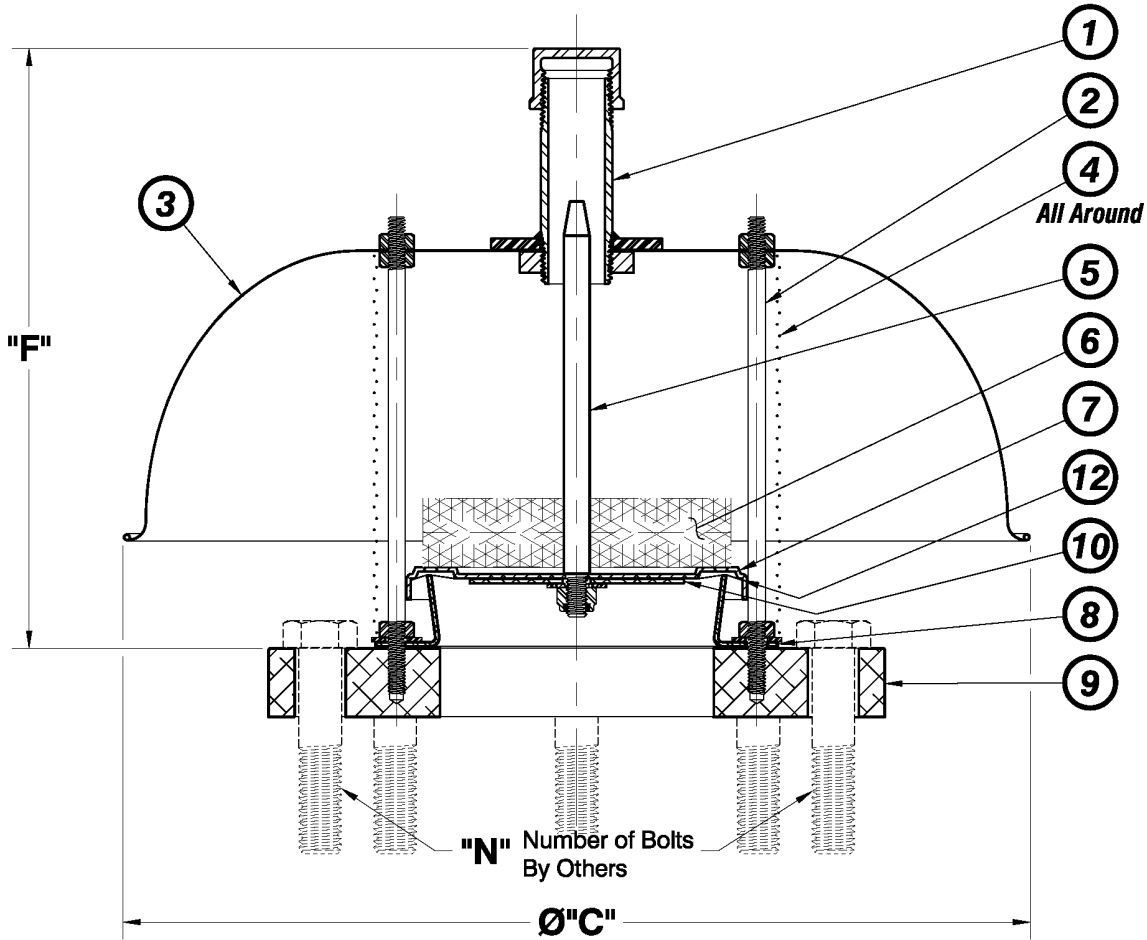
GS = Galvanized Steel

## 16", 20" and 24" Sizes



All designs subject to change. Certified dimensions and specifications available upon request.

**Dimensions**



Vent Size (In.)	Dimensions in Inches		"N" No. of Bolts*	Net Weight - Lbs.		Item No.	Description
	"C"	"F"		Aluminum	Steel		
2"	12 7/8	8 1/2	4	4	10	1	Stem Guide
3"	12 7/8	7 3/4	4	5	12	2	Pallet Guides
4"	13 5/8	7 3/4	8	7	16	3	Hood
6"	16	10 1/4	8	10	22	4	Screen
8"	18 5/8	14	8	13	34	5	Stem
10"	18 5/8	16	12	19	48	6	Loading Weight
12"	25 1/2	16	12	27	72	7	Pallet
16"	46 1/4	28	16	48	128	8	Seat
20"	46 1/4	28	20	75	180	9	Body Flange
24"	46 1/4	28	20	108	245	10	Retaining Plate
						12	Diaphragm
						~	Misc. Nuts/Washers

\*ANSI Sizes Shown

All designs subject to change. Certified dimensions and specifications available upon request.