

94140 Spring Loaded Pressure Relief Vent

The Shand & Jurs Model 94140 Spring Loaded Pressure Relief Vent reduces excessive venting of product in liquid storage tanks. Available for open or closed vent systems, this vent provides pressure relief by either venting vapor into the atmosphere or piping emissions in a closed loop system.

Available in 2"- 12" sizes, this vent is all weather for all materials and services. Higher pressure settings are accommodated using a unique method of spring loading which ensures highly reliable operation and reduces excessive venting of product at a relatively low cost. Pressure settings range from 1 psig through 15 psig for all sizes except 12" which has a maximum of 12 psig. Flange connections match ANSI 150 lb. raised face or flat face for cast iron, steel and stainless steel construction. Aluminum construction comes in ANSI 150 lb. flat face flange only. Open vent body and seat material is the same except for steel which has a SS overlay seat. Closed vent model can either have Aluminum or SS seat.

The pallet to seat diaphragm is cushion seated Teflon for long service life and optimum reliability. This diaphragm helps to ensure a high resistance to any ice and gum formations, prevents the pallet from sticking to the seat. The carefully engineered body, seat and pallet offers a superior combination of tight sealing and high capacity at lower over-pressure.

An Expanda-Seal is available on the pressure pallet to assure minimal leakage up to 95% of set pressure.

One of the most important features which should be noted in the Model 94140 design is the variety of construction materials available. A wide range of highly corrosive and toxic products common to the petroleum, petro-chemical and chemical industries, require that a pressure vent be able to withstand this environment and still function reliably. For few instances where our standard materials may not be suitable, optional materials are readily available.

Standard materials offered are aluminum, cast iron, cast steel and 316 stainless steel. Standard seats are aluminum and 316 stainless steel.



Features

- Aluminum, cast iron, steel or stainless steel
- Pressure range between 1 and 15 PSIG, 12 PSIG Max. for 12" size
- All-Weather Teflon Coating available
- Guided pressure pallet assures smooth lift and closure
- Unique diaphragm construction assures positive seal and minimal blowdown
- Easy inspection of internal components
- Withstands variety of materials including highly corrosive and toxic products
- Pallet lip design contributes to high flow characteristics

Specifications

Standard Pressure Setting Range:

1-15 psig for 2"-10" sizes
1-12 psig for 12" size

Flanges:

Matches valve size 150 lb. ANSI compatible.
EN1092 and JIS 10K sizes available.

*Aluminum available in FF only.

Temperature Range:

Body and Seal Options for Process Temperature Ranges of
-50°F to 220°F (Stainless Steel and Aluminum)
-20°F to 220°F (Steel)

Materials of Construction

Body:

Aluminum, Iron, Steel, 316 Stainless Steel available

Hood:

Stainless Steel for 2", 3", 4", 6" & 8"
Aluminum for 10" & 12"

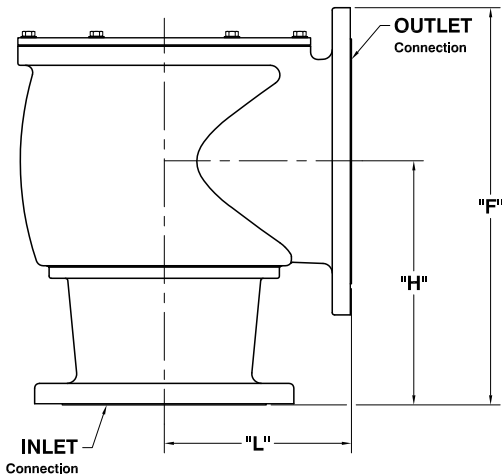
Seat:

Aluminum, 316 Stainless Steel

Diaphragm:

FEP Teflon, PTFE, Buna-N, Viton

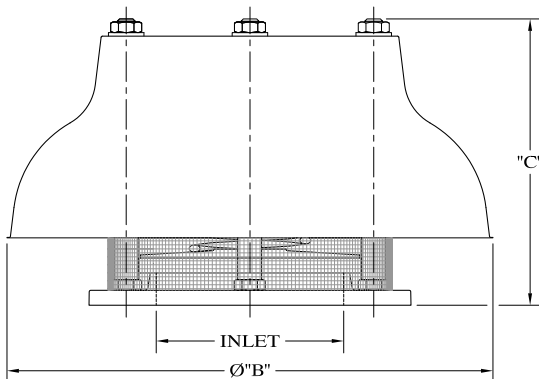
Closed Vent Outline Dimensions



Vent Size*	"F"	"H"	"L"
2" x 3"	10 ³ / ₈	5 ¹ / ₃₂	4 ¹ / ₄
3" x 4"	12 ¹ / ₈	5 ³¹ / ₃₂	5 ¹ / ₄
4" x 6"	14 ¹ / ₈	7 ¹ / ₃₂	5 ¹⁵ / ₁₆
6" x 8"	17 ¹ / ₄	10 ¹¹ / ₃₂	8 ¹ / ₄
8" x 10"	20 ⁷ / ₈	12 ²³ / ₃₂	9 ³ / ₄
10" x 12"	24 ⁵ / ₈	14 ²⁹ / ₃₂	11 ¹⁹ / ₃₂
12" x 14"	27 ⁵ / ₈	16 ²⁹ / ₃₂	12 ¹³ / ₁₆

*Same size Inlet and Outlet available, Consult Factory for Dimensions.

Open Vent Outline Dimensions



Vent Size	"Ø B"	"C"
2"	12 ⁷ / ₈	7 ⁵ / ₈
3"	13 ⁹ / ₁₆	7 ⁷ / ₈
4"	15 ¹⁵ / ₁₆	9 ¹ / ₈
6"	18 ⁵ / ₈	9 ¹ / ₈
8"	18 ⁵ / ₈	12 ¹ / ₈
10"	25 ⁹ / ₁₆	16 ¹ / ₂
12"	29 ⁷ / ₈	19 ⁵ / ₈

All designs subject to change. Certified dimensions and specifications available upon request.