

## 94130 Pressure Relief Vent (Open or Closed Vent Option)

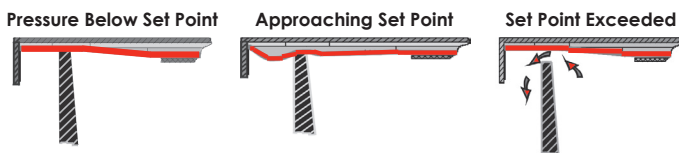
The Shand & Jurs 94130 Pressure Relief Vent is designed to provide pressure relief with high efficiency, maximum flow capacity and minimum leakage. The easily serviceable configuration and light weight construction reduces maintenance and installation costs. A variety of construction materials are available as part of the standard design which are ideally suited for highly corrosive and toxic product applications.

For dependable performance, Shand & Jurs Pressure Relief Vents utilize pressure pallets that are both peripherally and center stem guided. The standard diaphragm is "Air Cushion Seated" and constructed of teflon for high resistance to adhesion of ice and gum formation. A range of sizes and configurations, such as closed vent hood and flame snuffers are available. Standard pressure setting is 0.5 oz/in<sup>2</sup>.

### Expanda-Seal

Shand & Jurs "Expanda-Seal" option is available on all pressure pallet assemblies. This feature significantly reduces leakage. The ballooning effect of the Teflon diaphragm effectively seals the valve.

The "Expanda-Seal" feature ensures less than 0.5 SCFH of air at 95% of the set point.



Open Vent Configuration



Closed Vent Configuration

## Features

- Reduced need for special materials in corrosive and extreme temperature
- Peripheral and stem guided pressure pallet assures smooth lift and closure
- Positive seal and minimal blow down
- Capacity certified to API standards
- Reduced maintenance and installation costs
- "All Weather" Teflon coating available
- Insulation Jackets available
- Steam Jackets available

## Specifications

### Sizes:

2", 3", 4", 6", 8", 10" & 12"

### \*Maximum Setting:

24 oz/in<sup>2</sup>

### Standard Setting:

0.5 oz/in<sup>2</sup> (0.86 in. W.C.)

### Expanda-Seal Pressure Setting:

1.5 oz/in<sup>2</sup> Minimum  
(Consult Factory for lower settings)

### Temperature Range:

Body and Seal Options for Process Temperature Ranges from -300°F to 500°F

Raised face (except Aluminum) or flat face flange available; compatible with ANSI 125/150 lb. EN1092-1 and JIS 10K flanges available.

\* Varied by valve size and weight material. Please consult factory for particular valve size and weight material.

## Materials of Construction

### Body:

Cast Aluminum, Cast Steel, Cast Iron, Ductile Iron or 316 Stainless Steel

### Closed Vent Cover:

Aluminum, Steel or Stainless Steel

### Pallet:

Aluminum or Stainless Steel

### Seat:

Aluminum or Stainless Steel (Field Replaceable)

### Stem & Guide Posts:

Aluminum, Galvanized Steel, Galvanized Iron or Stainless Steel

### Screen:

Galvanized Steel or Stainless Steel

### Diaphragm:

FEP Teflon, PTFE, Viton, Buna N

### Back-up Disc:

N-8090 Fiber, Glass Filled Teflon (GPTFE)

### Closed Vent Cover Gasket:

N-8090 Fiber, Glass Filled Teflon (GPTFE), Viton, Buna N

\* Table D Option 5 for same size inlet and outlet connections has been Obsolete and Replaced by Table D Option 6. Option 5 and 6 dimensions do not match. Consult factory if replacement valve is required.

## Standard Materials of Construction

Service	Body	Open Vent Hood		Seat		Pallets	Stem Guide Tube	Screen	Side Guides
		2, 3, 4, 6 & 8	10 & 12	2, 3, 4	6, 8, 10 & 12				
Norm. Alum.	Cast Alum.	18-8 SS	Alum.	Alum.	Alum.	Alum.	Galv. Steel	Galv. Steel	316 SS
Cyro Low Temp.	Cast Alum.	Alum.	Alum.	Alum.	Alum.	Alum.	316SS	304 SS	316 SS
Severe Iron	CI/DI	18-8 SS	Alum.	316 SS	316 SS	316 SS	Galv. Steel	304 SS	316 SS
Severe Steel	Cast Steel	18-8 SS	Alum.	316 SS	316 SS	316 SS	Galv. Steel	304 SS	316 SS
Severe 316SS	Cast 316 SS	316 SS	316 SS	316 SS	316 SS	316 SS	316 SS	316 SS	316 SS

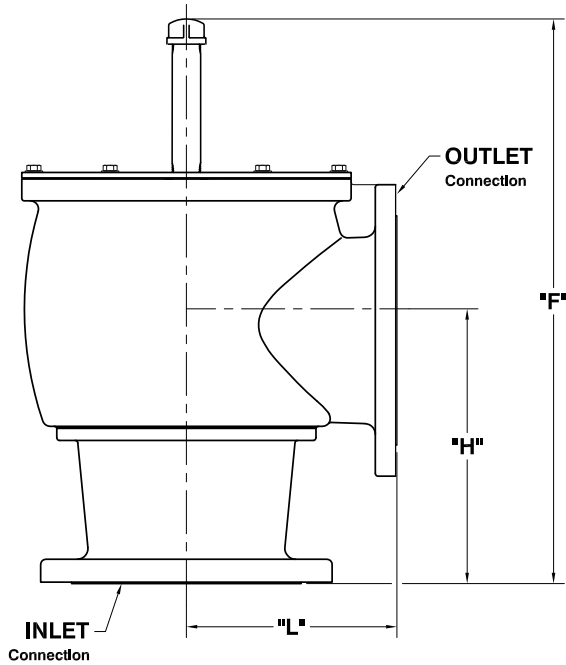
Service	Pallet Stem Pressure Side	Diaphragm	Closed Vent Cover		Cover Gaskets	Hardware
			2, 3, 4	6, 8, 10 & 12		
Norm. Alum.	316 SS	FEP	Aluminum	Aluminum	N-8090	Stainless Steel
Cyro Low Temp.	316 SS	FEP	Aluminum	Aluminum	N-8090	316 SS
Severe Iron	316 SS	FEP	Steel	Steel	N-8090	316 SS
Severe Steel	316 SS	FEP	Steel	Steel	N-8090	Stainless Steel
Severe 316 SS	316 SS	FEP	316 SS	316 SS	N-8090	316 SS

N-8090 = Nitrile Fiber Composition FEP = Teflon CI = Cast Iron DI = Ductile Iron

# 94130 Pressure Relief Vent



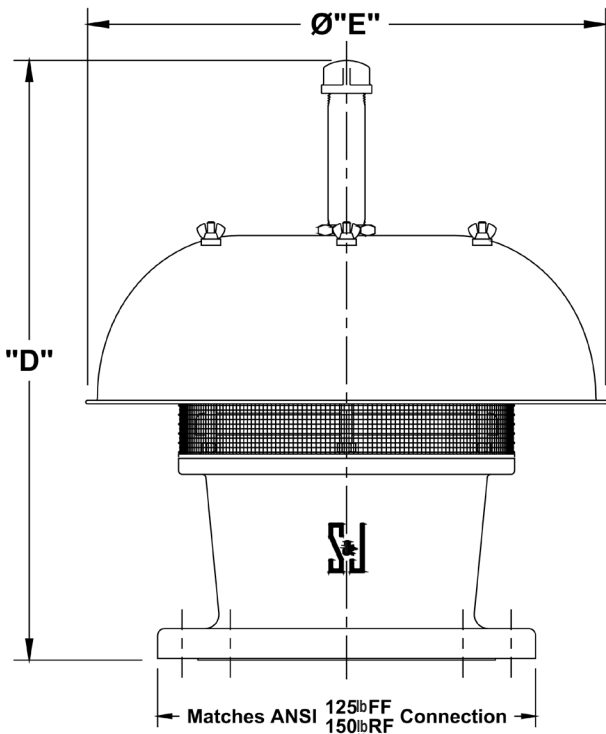
## 94130 Closed Vent



Vent Size	"F"	"H"	"L"
2" x 2"	11 ¼"	5 ½"	4 ¼"
2" x 3"	11 ⅛"	5 ½"	4 ¼"
3" x 3"	13 ¼"	5 ⅞"	5 ¼"
3" x 4"	13 ¾"	5 ¾"	5 ¼"
4" x 4"	20 ¾"	7"	6 ½"
4" x 6"	15 ¾"	7 ½"	5 ⅞"
6" x 6"	21 ¼"	9 ⅜"	8 ⅜"
6" x 8"	21 ¼"	10 ⅞"	8 ¼"
8" x 8"	25 ½"	11 ⅞"	9 ¾"
8" x 10"	26 ⅜"	12 ⅞"	9 ¾"
10" x 10"	30"	13 ⅞"	11 ⅞"
10" x 12"	30 ¼"	14 ⅞"	11 ⅞"
12" x 12"	33 ⅞"	16 ¼"	12 ⅞"
12" x 14"	33 ⅞"	16 ⅞"	12 ⅞"

All designs subject to change. Certified dimensions and specifications available upon request.

## 94130 Open Vent



Vent Size	"D"	Diameter "E"
2"	11 ⅞"	12 ⅞"
3"	13 ¾"	13 ⅞"
4"	15 ¾"	15 ⅞"
6"	18 ¾"	18 ⅞"
8"	21 ¼"	18 ⅞"
10"	28 ⅞"	25 ⅞"
12"	32 ¼"	29 ⅞"

All designs subject to change. Certified dimensions and specifications available upon request.

