

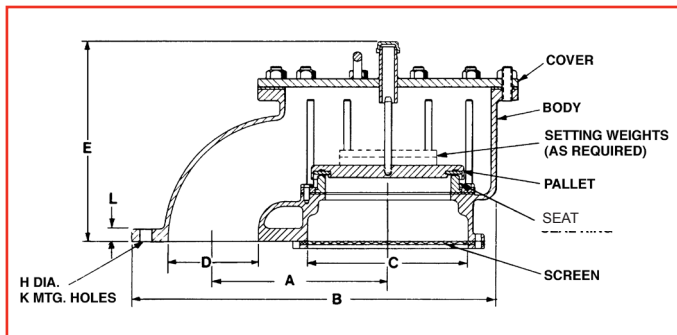
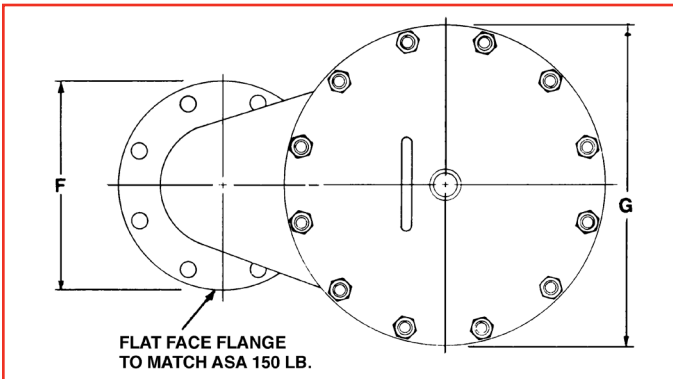
94100 Vacuum Vent (High Pressure)

The Shand & Jurs 94100 Vacuum Vent has been designed utilizing over 90 years of experience in the development of quality safety and conservation fittings. The function of this vent is to relieve vacuum conditions in liquid product storage tanks, and also withstand the pressure of the stored product when not operating under a vacuum. This model is specifically designed to operate at pressure up to 125 psi and at temperature ranges from minus 20 degrees to plus 200 degrees Fahrenheit. Provisions for high vacuum settings are available.

Standard materials of construction is cast steel body with steel cover plate. Seat is phenolic or cast aluminum to withstand greater pressure and resist corrosion. Buna-N pallet seal ring is cushion-seated for tighter sealing. Model 94100 Vacuum Vent is available in 6-inch and 10-inch sizes with flat face flange to match ANSI 150 lb.



Dimensions:



Features

- Reduces need for special materials for extremely high and low temperature
- 125 psi operating pressure ratings
- Low temperature service to -20°F
- Balanced pallet assures smooth lift and closure
- Removable bolted cover allows easy access

Vent Size	Table of Dimensions - Inches										Net Wt. lbs.	Shipping Wt. lbs.
	"A"	"B"	"C"	"D"	"E"	"F"	"G"	"H"	"K"	"L"		
6"	11 ¾	26 ⅙	10 ⅞	6	15 ⅙	11	17 ⅜	⅞	8	1	185	225
10"	17	37 ¾	16 ¼	10	18 ⅜	16	19 ¾	1	---	1	385	445

All designs subject to change. Certified dimensions and specifications available upon request.

Materials of Construction:

Size		6 Inch	10 Inch
Vacuum Setting	Standard	1.75 oz./in. ²	1.75 oz./in. ²
	Minimum	1.5 oz./in. ²	1.5 oz./in. ²
	Maximum	4 oz./in. ²	4 oz./in. ²
Max. Operating Pressure		125 PSI	75 PSI
Temperature Range		-20°F to +200°F	
Seat		Phenolic	Aluminum
Screen Holder		Malleable Iron	Bronze
Cover & Seat Gasket		N8090	
Body & Cover		Cast Steel	
Pallet		Aluminum	
Pallet Seat Ring		Steel	
Seal Disc		Buna N	
Screen		Galvanized Steel	

Materials of construction for this equipment have been selected as representing the most suitable commercially available material for use in the service intended. However, they do not constitute a guarantee against corrosion since processes vary from plant to plant and concentration of harmful fluids, gases or solids vary from time to time in a given process. Empirical experience by users should be the final guide and alternate materials based on this are generally available.

94100 Ordering Guide

Model Number Selection

The model number will consist of a base number **94100** followed by 2 digit numbers. These digits will represent 1 option table.

94100 - AB

Ordering Information

Specify:

1. Model 94100 Vacuum Vent
2. 6" or 10" size
3. Setting, if other than standard
4. Product to be stored
5. Optional materials of construction as required



Table AB - Size and Setting

Option AB	Description
03	6" Valve - Standard Setting, ≤ 4 oz.
13	6" Valve - Non- Standard Setting, > 4 oz. *
04	10" Valve - Standard Setting, ≤ 4 oz.
14	10" Valve - Non-Standard Setting, > 4 oz. *

* Consult Factory

Standard Setting

Valve Size	Oz./In. ²	Inches W.C.	Min. Oz./In. ²	Max Oz./In. ²
6"	2	3.5	1.5	4
10"	2	3.5	1.5	4