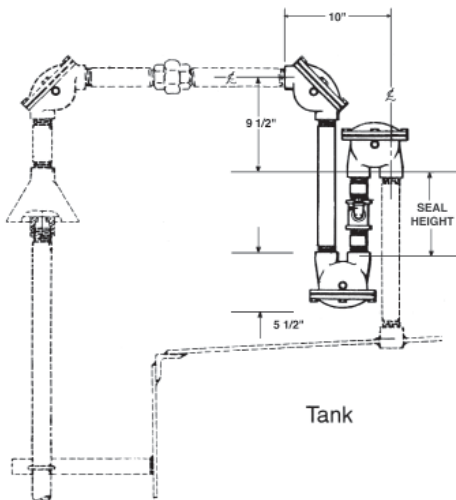


93603 Liquid Seal

The Shand & Jurs Model 93603 Liquid Seal is used with liquid level gauges to retain tank vapor space pressure and vacuum. It is also used as a barrier to protect the gauge head from corrosive tank vapors or other effects. The construction of the liquid seal features aluminum housings, galvanized iron pipe, Delrin tape pulleys that rotate on teflon bearings and stainless steel shafts.

The 93603 requires a relatively simple installation which is shown at left. The seal assembly is installed within a piping configuration that runs from the top of the tank, along the side, to the bottom.

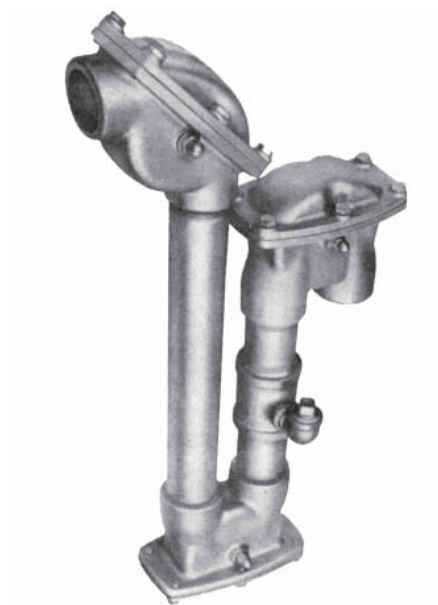
Dimensions



Liquid Seal Specifications		
Dimensions in Inches	Max. Tank Pressure oz/sq. in.	
	Ethylene Glycol	Lubricating Oil
8 1/2	5.2	3.9
9 1/2	5.9	4.4
11 1/2	7.1	5.3
13 1/2	8.3	6.2
15 1/2	9.6	7.2
17 1/2	10.8	8.1

Anti-freeze Solution 1.07 Sp. Gr. Med. Weight Lubrication Oil 0.8 Sp. Gr.
NOTE: Seal depths over 17 1/2" available. Specify if required.

All designs subject to change. Certified dimensions and specifications available upon request.



Features

- Retains tank vapor space and vacuum
- Protects gauge head from corrosive vapors
- Teflon bearings and stainless steel shafts provide easy movement and durability
- Minimizes condensation problems