

92030

Automatic Tank Gauge (High Pressure)

SHAND & JUR'S

92030 Automatic Tank Gauge (High Pressure)

The Shand & Jurs Model 92030 Automatic Tank Level Gauge is a float actuated tape driven gauge. Through the use of digital counters float travel is accurately indicated to 1/16 of an inch over the entire tank range.

Model 92030 is designed for high pressure applications such as 150 psig and 300 psig. To provide local digital readout a unique magnetic drive is incorporated. This magnetic drive prevents high pressure and hazardous vapors from entering the counter housing.

Many outstanding features are included, such as a standard operational checker for ensuring a "free" working system. Provisions for high and low limit switches or simple coupling of a level transmitter for remote transmission, or a hand crank for manually raising the float is available.

To complete a gauging system, additional accessory items are necessary; these are available in "kit" forms and are designed to fit most tank configurations.

Tank Gauge:

Type of Service:

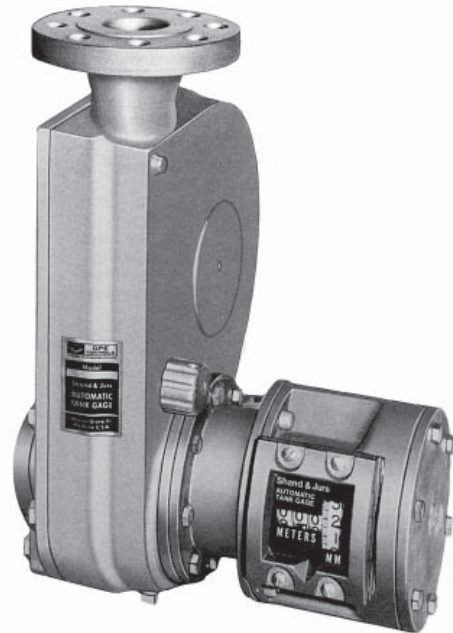
150 PSIG without Hand Crank
150 PSIG with Hand Crank
300 PSIG without Hand Crank
300 PSIG with Hand Crank

Temperature Range

-30°F to 160°F

Gauging Range:

to 99 feet (Standard)
to 30 meters (Standard)



Features

- Continuous accurate readings as Specified in API 2509 B.
- Pressure Ratings for 150 and 300 lb. service.
- Stainless Steel Shafts and Teflon bearings assure maintenance free operation.
- Mounting brackets and gauging system "kits" reduce installation cost

SHAND & JUR'S

Materials of Construction:

Body and Cover:

Cast Steel

Counter Housing:

Brass

Tape Reel & Sprocket Wheel:

Cast Aluminum

Perforated Tape, Hardware and Shafts,
Constant Power Spring & Sprocket Pins:

Stainless Steel

Bearings:

Teflon

Accessory Kit:

Type of Service:

150 PSIG and 300 PSIG

Materials of Construction:

Body and Cover:

Cast Steel

Pulley:

Aluminum

Shaft:

Stainless Steel

Bearings:

Teflon

Guide Wire Assembly:

Tube, Washer, Retainer & Mounting Bracket:

Steel

Float:

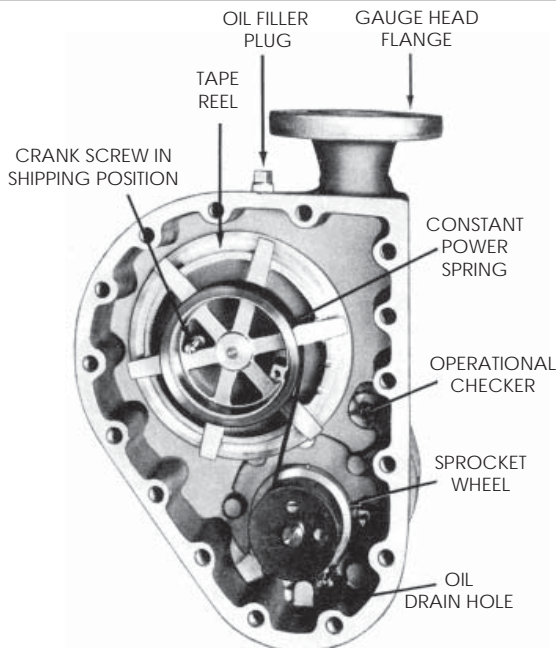
Tubular aluminum 18-3/8" centers with guides.
Maximum pressure range 250 PSI*

*Consult factory for higher pressures

Spring & Anchor Bar:

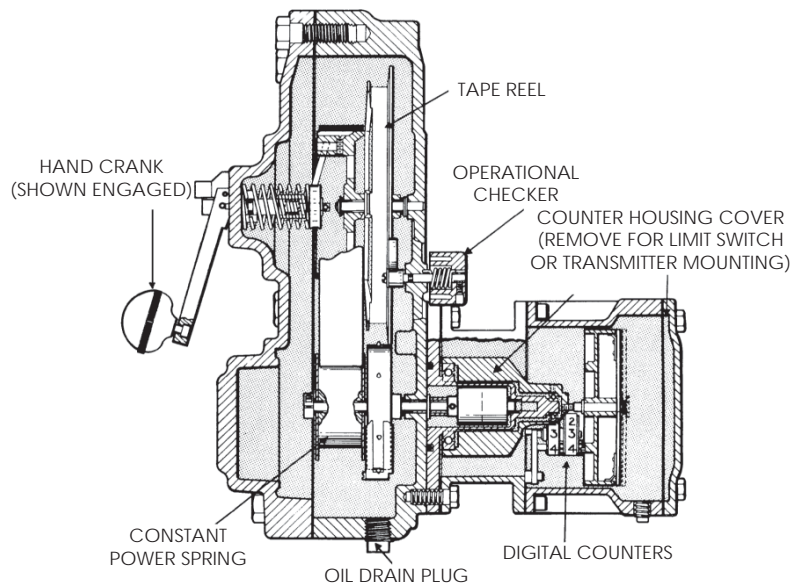
Stainless Steel

Dimensions:



GAUGE HEAD SHOWN WITH COVER REMOVED DEMONSTRATES EASY ACCESSIBILITY OF INTERNALS

CROSS-SECTION VIEW SHOWS UNIQUE HAND CRANK AND MAGNETIC DRIVE MOTOR CONFIGURATION



All designs subject to change. Certified dimensions and specifications available upon request.

92030

Automatic Tank Gauge (High Pressure)



Select Kit Number per your Tank Requirements

Ground Reading Non-Turbulent Tanks:

Kit No. 1A:

150 lb. service

Kit No. 1B:

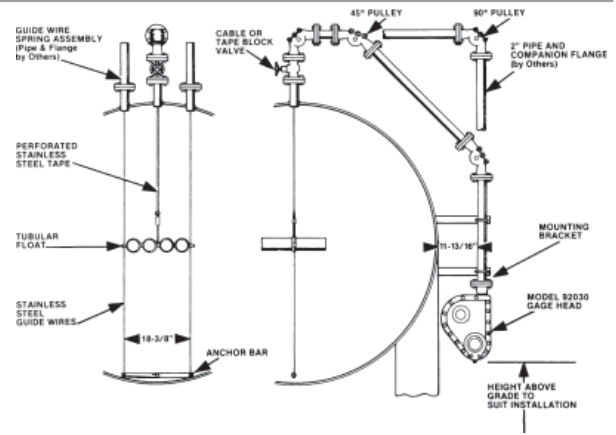
300 lb. service includes two 90° pulleys.
(Requires tape block valve*)

Kit No. 2A:

150 lb. service

Kit No. 2B:

300 lb. service includes two 45° pulleys; one 90° pulley.
(Requires tape block valve*)



Ground Reading Turbulent Tanks:

Kit No. 3A:

150 lb. service

Kit No. 3B:

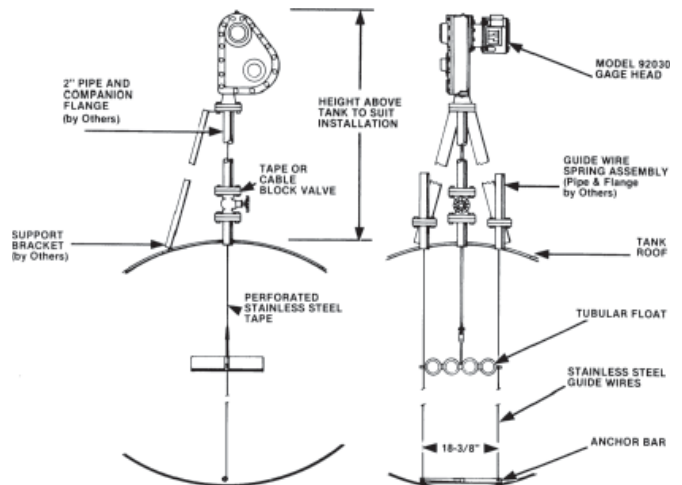
300 lb. service includes two 90° pulleys.
(Requires cable block valve*)

Kit No. 4A:

150 lb. service

Kit No. 4B:

300 lb. service includes two 45° pulleys; one 90° pulley.
(Requires cable block valve*)



Roof Reading Non-Turbulent Tanks:

Kit No. 5A:

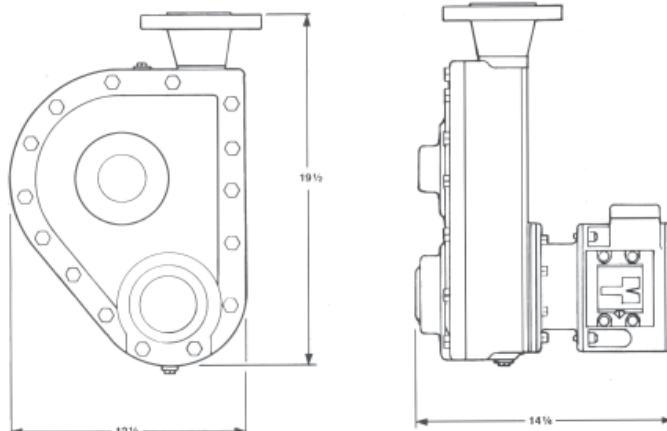
150 LB. service

Kit No. 5B:

300 LB. service requires tape block valve*

*NOTE: Tape or cable block valves must be specified separately. They are not included with kits.

Outline Dimensions:



All designs subject to change. Certified dimensions and specifications available upon request.

